



MEM Volume Control - Brushed Champagne (22kt Gold)

36 310 782 Product version from 10/14/2020



- Flange 2-3/8" x 2-3/8"

(ADA)

NOTE: Important! Due to minimum rough-in requirements, a framing of 2 x 6 studs may be needed.

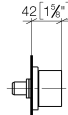
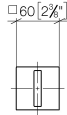
	Brushed Champagne (22kt Gold)	36 310 782-46
	Chrome	36 310 782-00
	Brushed Platinum	36 310 782-06
	Platinum	36 310 782-08
	Dark Chrome	36 310 782-19
	Champagne (22kt Gold)	36 310 782-47
	Cyprum	36 310 782-49
	Brushed Chrome	36 310 782-93
	Brushed Dark Platinum	36 310 782-99



MEM Volume Control - Brushed Champagne (22kt Gold)

36 310 782 Product version from 10/14/2020

mm [inches]



Codes & Standards

ASME A112.18.1

cUPC

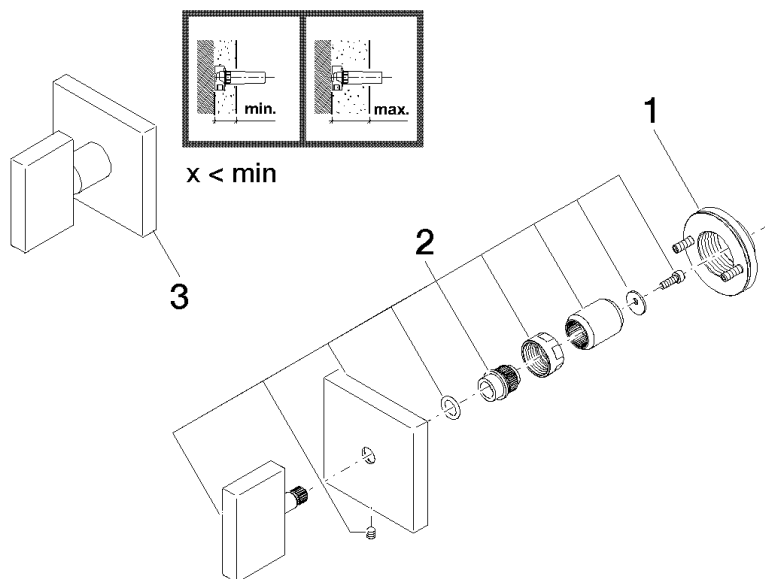
Certificates

IAPMO_4976 (

MEM Volume Control - Brushed Champagne (22kt Gold)

36 310 782 Product version from 10/14/2020

Parts for other finishes can be found here: [Chrome](#)



Spare parts list

Number	Item Number	Designation	Number of units	Lead time
1	90 21 02 108 00 90	disc	1	2
2	90 20 78 002 02-46	handle	1	30
3	90 20 78 002 01-46	handle	1	30