



Bathtub - LULU

xTOOL Concealed thermostat without volume control 1/2" - platinum matte

Article number: 36 501 710-06



- Cover plate 4-3/4" x 4-3/4"
- Temperature control handle with safety lock at 100 °F/ 38°C
- Thermostat cartridge

Codes & Standards

- ASME A112.18.1/CSA B125.1
- Fittings group in compliance with DIN 4109: 2



platinum matte

Accessory is required for this item.



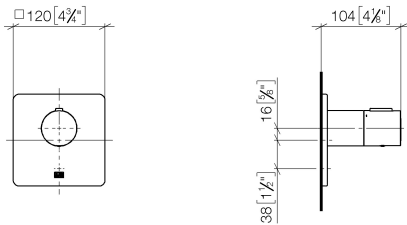
Bathtub - LULU

xTOOL Concealed thermostat without volume control 1/2" - platinum matte

Article number: 36 501 710-06

Dimensional drawing

mm [inches]



All dimensions in mm / inch = mm x 0,0394



Bathtub - LULU

xTOOL Concealed thermostat without volume control 1/2" - platinum matte

Article number: 36 501 710-06

Other surface finishes



polished chrome

36 501 710-00

More custom finish options are available via special production (xTra Service). Please see our finish matrix for availability and pricing or contact a Dornbracht representative.



35 503 970-90 0010

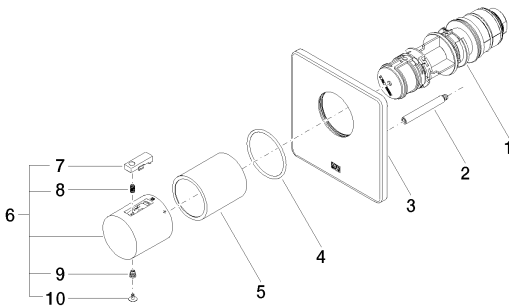
xTOOL Concealed thermostat
rough without volume control
3/4" -

Bathtub - LULU

xTOOL Concealed thermostat without volume control 1/2" - platinum matte

Article number: 36 501 710-06

Spare parts list



Number	Item Number	Designation	Number of units
1	90 15 02 063 00 90	cartridge	1
2	04 31 09 095 00 90	bar	1
3	09 11 02 329-06	plate	1
4	09 14 10 049 90	seal	1
5	09 21 02 112-06	sleeve	1
6	04 17 33 004 01-06	handle	1
7	09 21 33 010-06	handle	1
8	09 16 02 027 90	spring	1
9	09 30 30 136 90	screw	1
10	09 31 20 049-06	plug	1