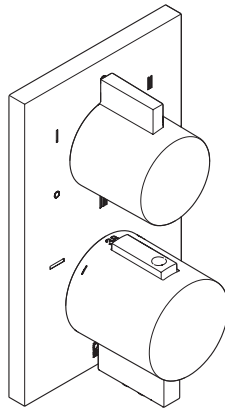


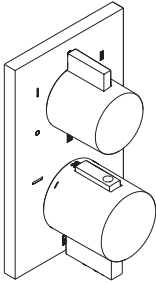


# Dornbracht Assembly Instructions

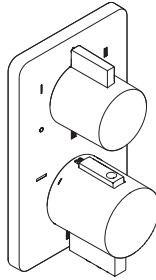
For use with shower heads rated at 1.4 gpm / 5.3 l/min or higher.



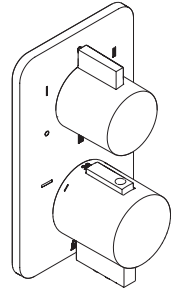
36 428 670-FF 0010 / 36 428 710-FF 0010 / 36 428 845-FF 0010 / 36 428 892-FF 0010 /  
36 428 970-FF 0010 / 36 428 977-FF 0010



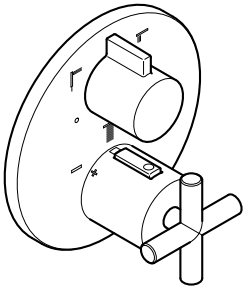
36 428 670-FF 0010



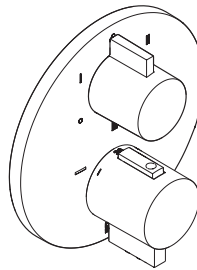
36 428 710-FF 0010



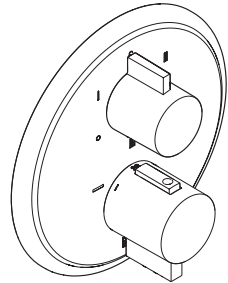
36 428 845-FF 0010



36 428 892-FF 0010



36 428 970-FF 0010



36 428 977-FF 0010

## General warnings



### Caution!

This icon warns of property damage due to non-compliance with the safety instructions.



### Note!

This icon warns of possible property damage due to non-compliance with the installation instructions.

All work must be carried out exclusively by trained, qualified personnel! Only then can the manufacturer assume liability. National accident prevention regulations have priority in all cases. Operating conditions and dimensions can be found in the appendix.

---

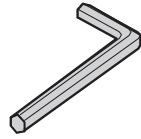
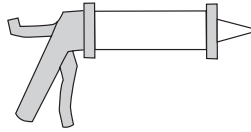
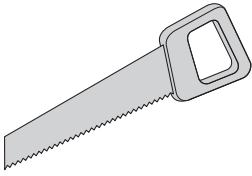
Care and Maintenance



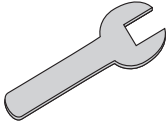
Technical data



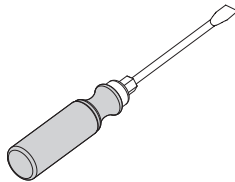
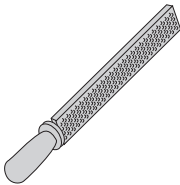
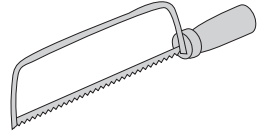
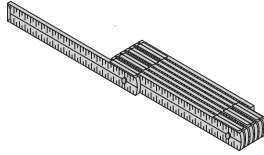
[dornbracht.com](https://www.dornbracht.com)



2 / 2,5 / 6 / 10 mm

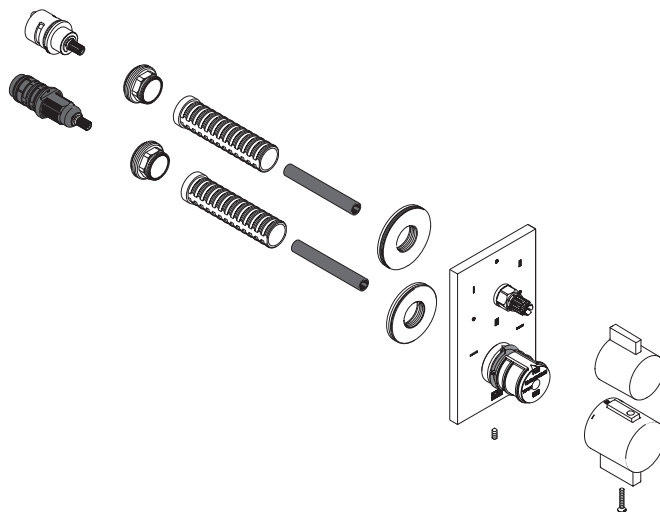


22 / 24 mm



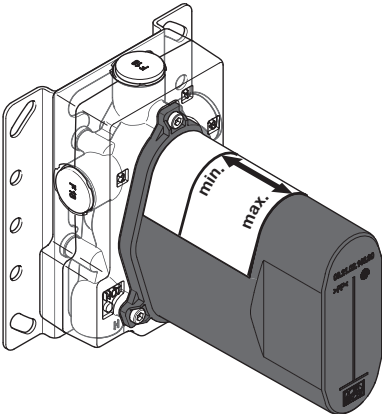
## Parts supplied

36 428 670-FF 0010 / 36 428 710-FF 0010 / 36 428 845-FF 0010 / 36 428 892-FF 0010 /  
36 428 970-FF 0010 / 36 428 977-FF 0010



Required miscellaneous article

35 428 970-90 0010




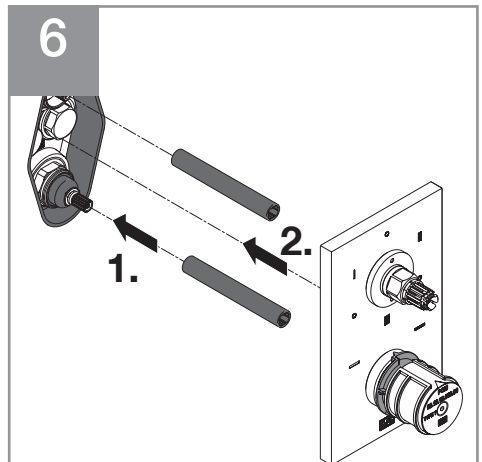
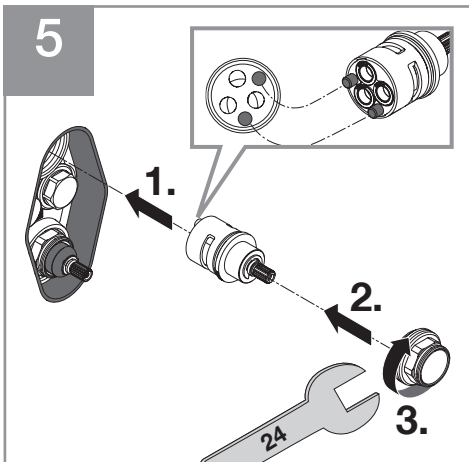
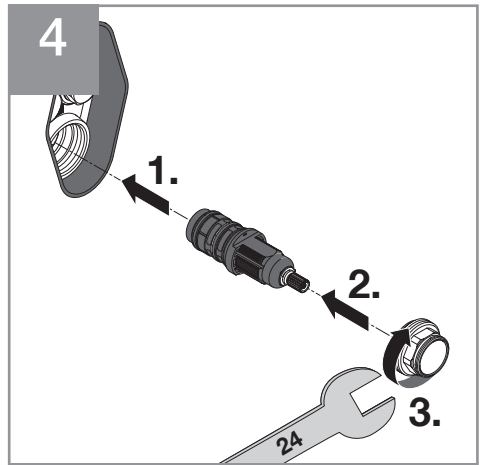
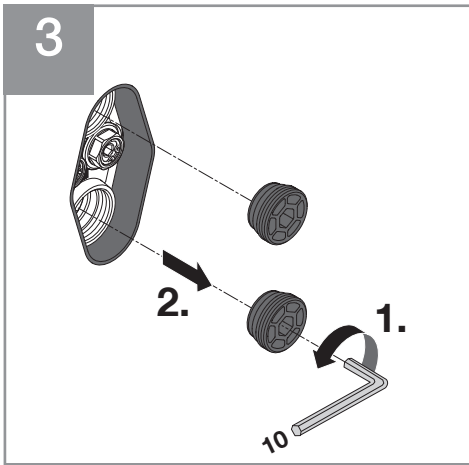
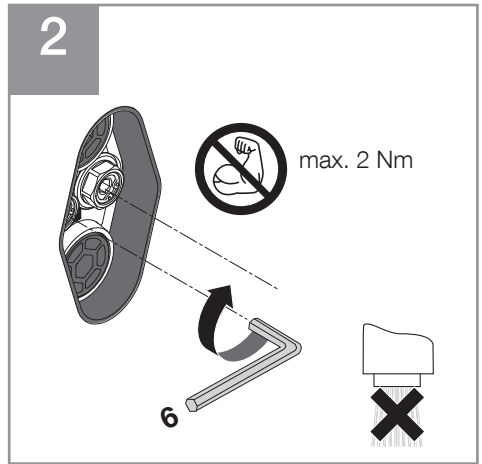
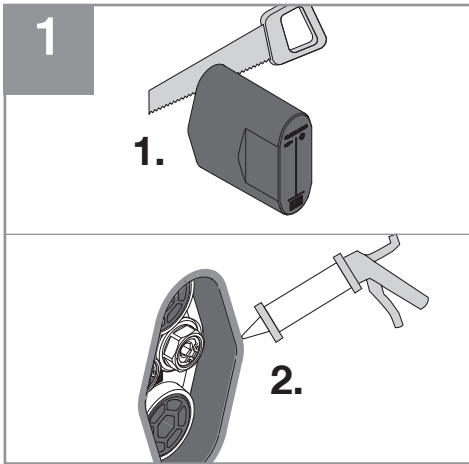
**TOP**

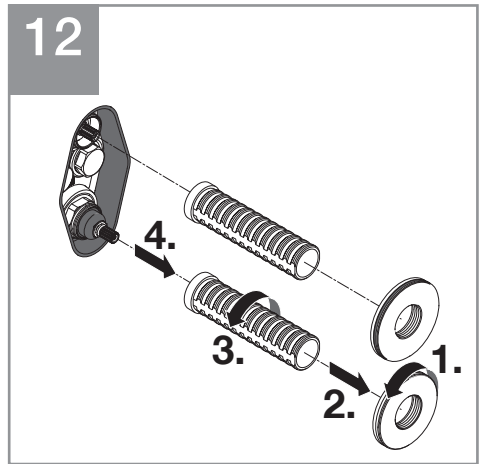
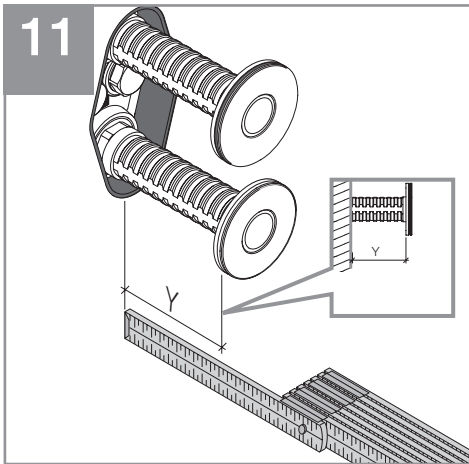
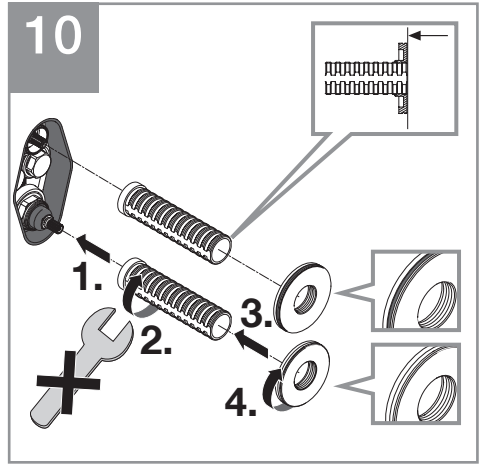
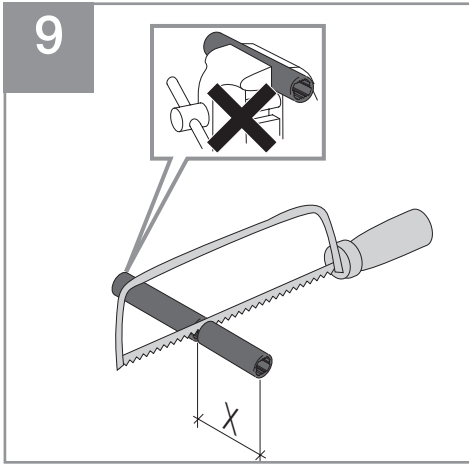
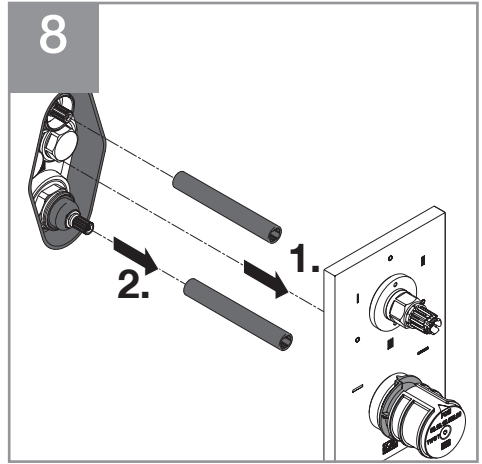
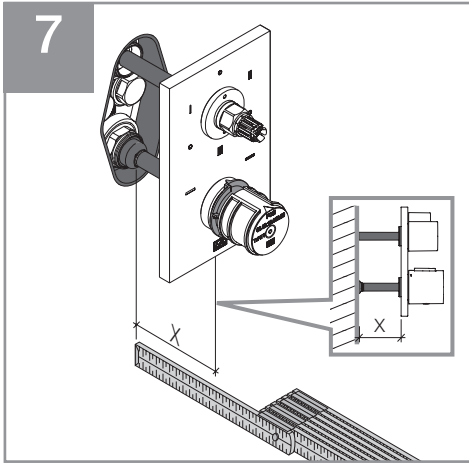
- 3 Wege
- 3 function
- 3 vías
- 3 holes
- 3 We
- 3 Weg

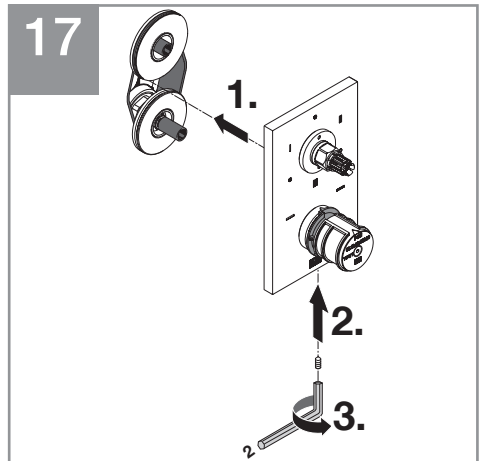
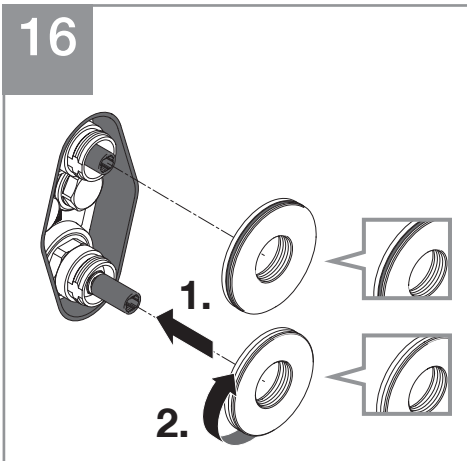
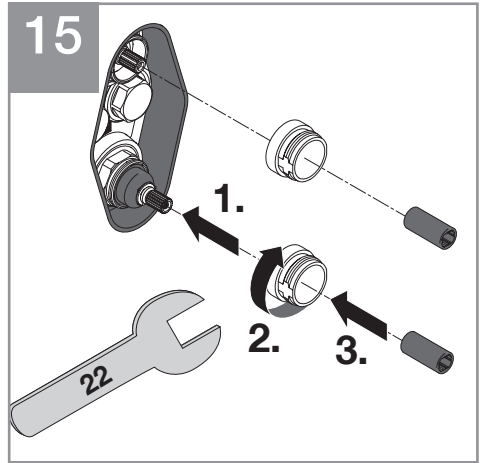
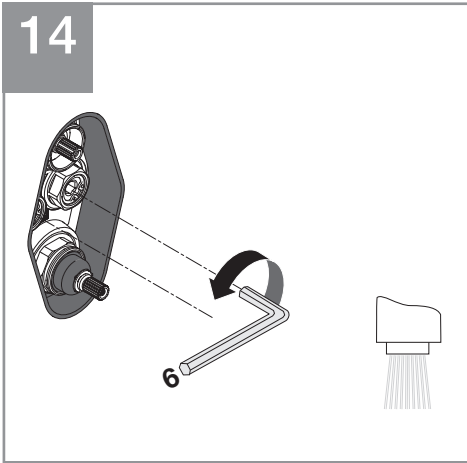
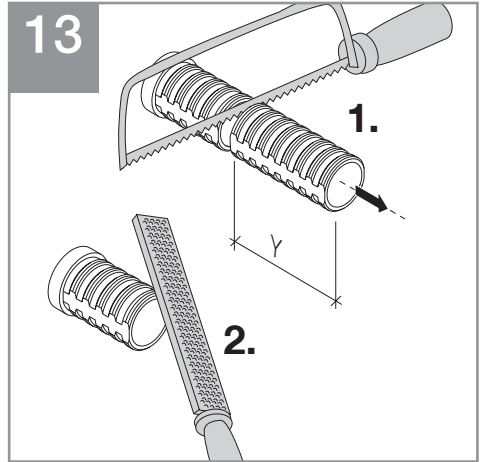
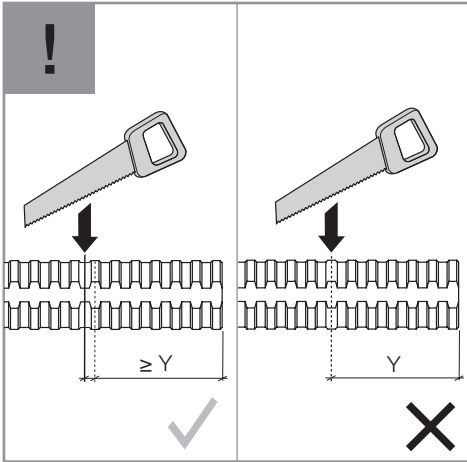
**35 428 970-90 00 10**

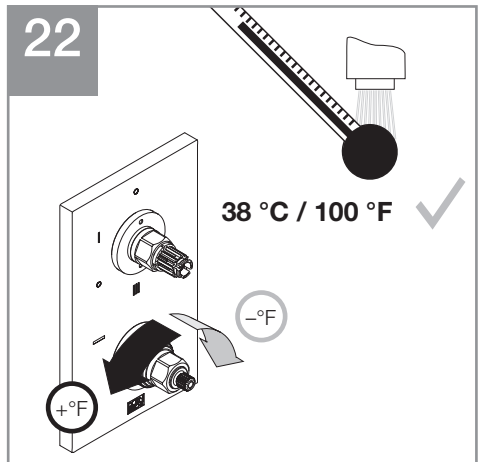
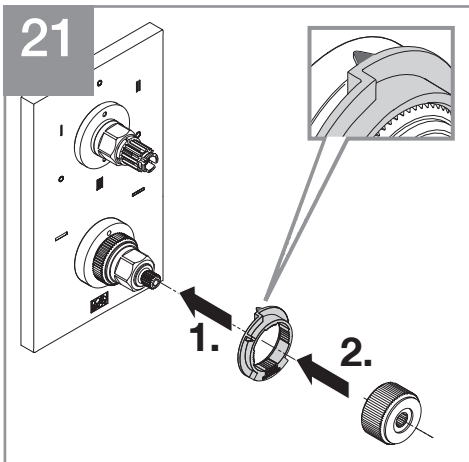
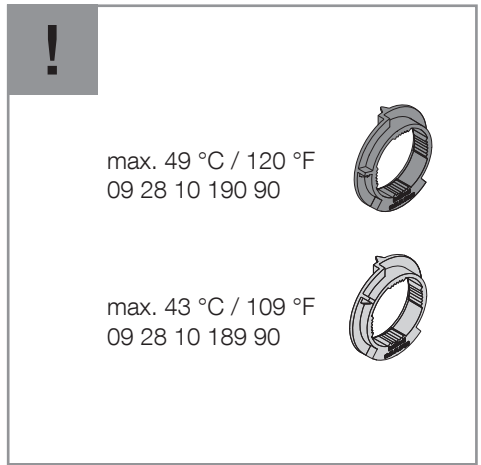
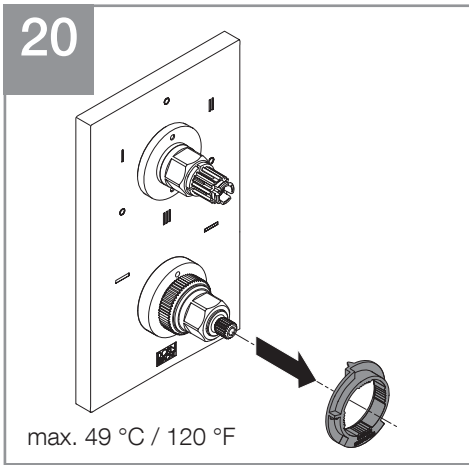
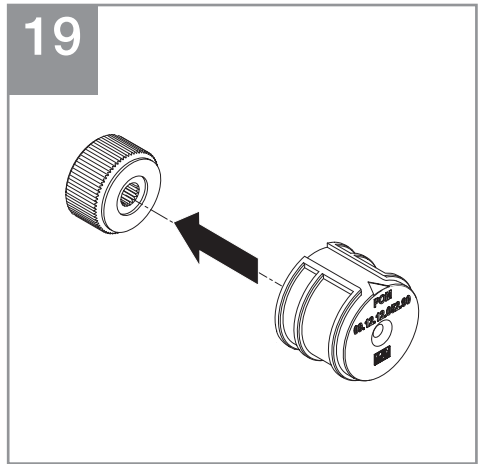
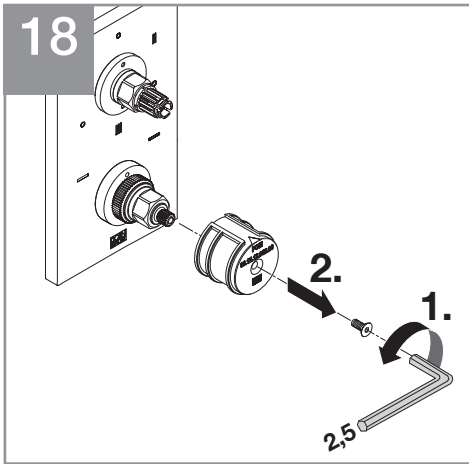
Handbuch  
Montageanleitung  
01 26 16 97000

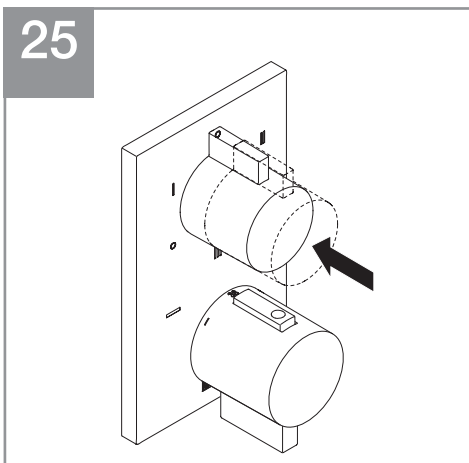
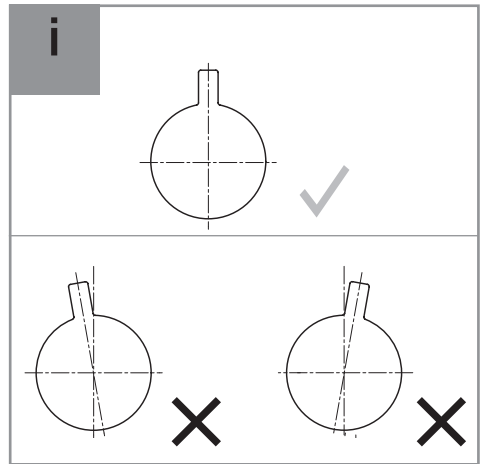
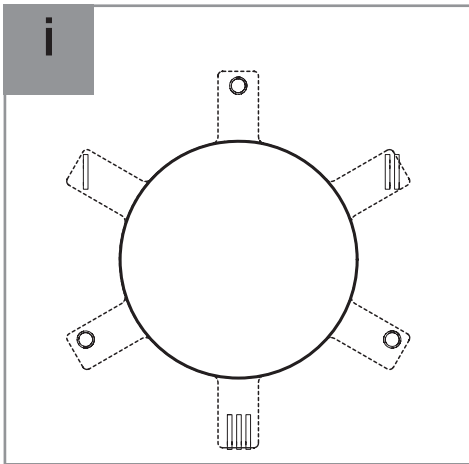
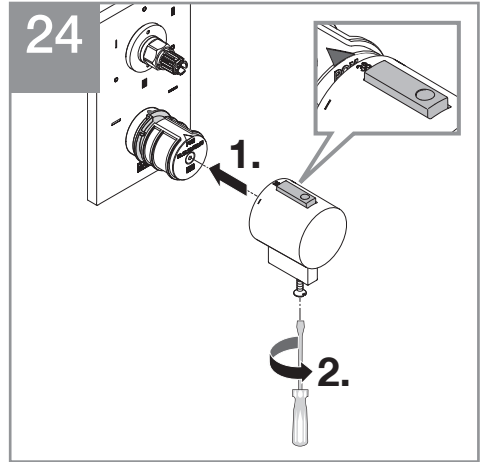
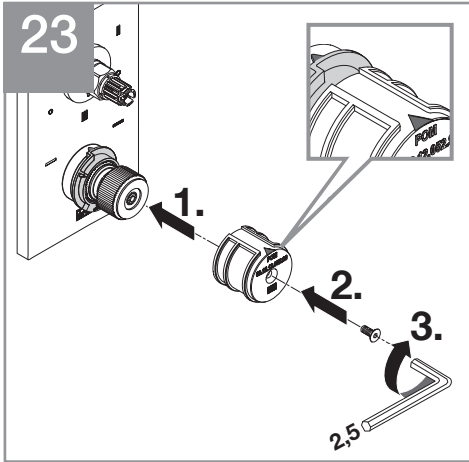






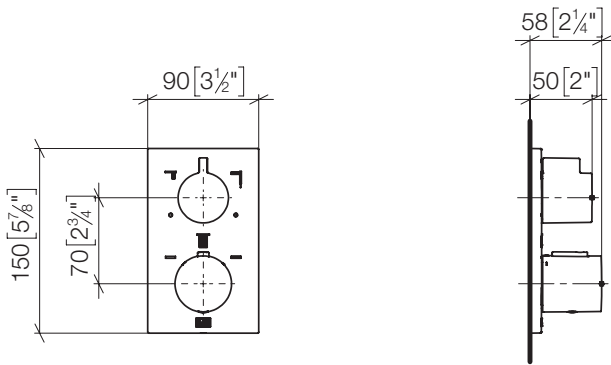






36 428 670-FF 0010

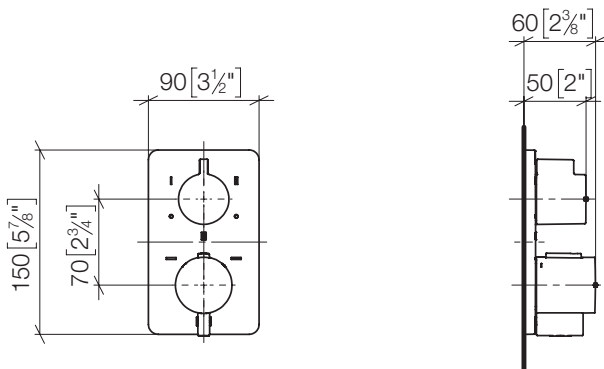
mm [inches]



---

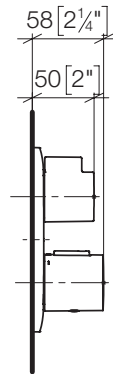
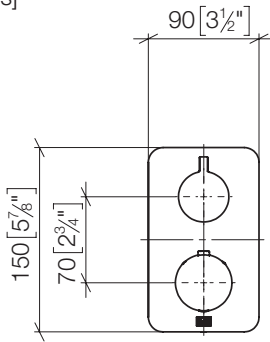
36 428 710-FF 0010

mm [inches]



36 428 845-FF 0010

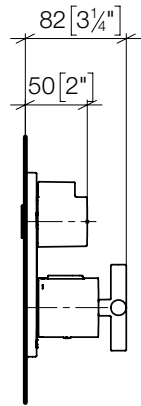
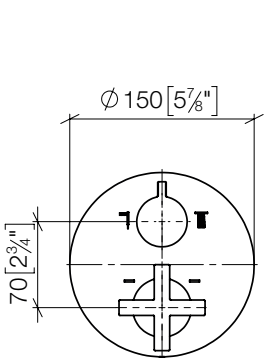
mm [inches]



---

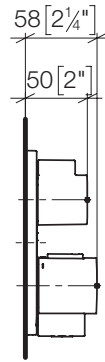
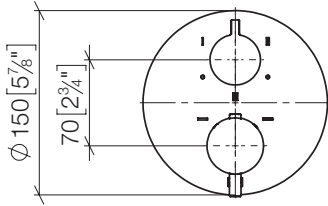
36 428 892-FF 0010

mm [inches]



36 428 970-FF 0010

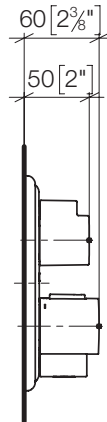
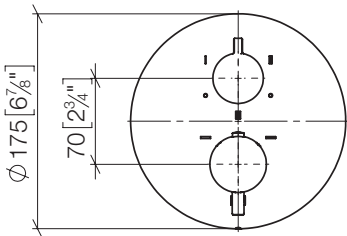
mm [inches]



---

36 428 977-FF 0010

mm [inches]



### Operating conditions

Cold water temperature range	41 - 77 °F
Hot water temperature range	131 - 149 °F
Recommended flow temperature	140 °F
Thermal disinfection (3 - 10 Min.)	≤ 194 °F
Minimum flow pressure	15 psi
Maximum flow pressure	73 psi
Recommended flow pressure	45 psi

In order for the noise levels to comply with the national requirements, a pressure reducer must be installed in the supply line at a static pressure above 5 bar / 73 psi.

The thermostat meets the requirements according to EN 1111.

Dornbracht AG & Co. KG  
Köbbingser Mühle 6, D-58640 Iserlohn  
Tel. +49 2371 8899-900  
mail@dornbracht.de  
www.dornbracht.com



01 03 16 892 00 / 03.2022