

## MEM Wall valve clockwise closing 1/2" - Chrome

36 607 782 Product version from 10/14/2020



- rosette 60 x 60 mm
- head part with cut-to-length spindle and sleeve
- WRAS

|                                                                                   |                                     |               |
|-----------------------------------------------------------------------------------|-------------------------------------|---------------|
|  | Chrome                              | 36 607 782-00 |
|  | Brushed Platinum                    | 36 607 782-06 |
|  | Platinum                            | 36 607 782-08 |
|  | Dark Chrome                         | 36 607 782-19 |
|  | Brushed Durabronze<br>(23kt Gold)   | 36 607 782-28 |
|  | Brushed<br>Champagne (22kt<br>Gold) | 36 607 782-46 |
|  | Champagne (22kt<br>Gold)            | 36 607 782-47 |
|  | Brushed Chrome                      | 36 607 782-93 |
|  | Brushed Dark<br>Platinum            | 36 607 782-99 |

### Required miscellaneous



- Wall valve 1/2" -**
- max. recess depth mm
  - min. recess depth mm

35 607 970 90

**MEM Wall valve clockwise closing 1/2" - Chrome**

---

36 607 782 Product version from 10/14/2020

mm [inches]



**Codes & Standards**

---

|                |          |                        |                             |
|----------------|----------|------------------------|-----------------------------|
| ASME A112.18.1 | cUPC     | DIN 4109               | EN 1111                     |
| EN 200         | ISO 3822 | Scottish Water Byelaws | UK Water Supply Regulations |

**Ü-Zeichen**

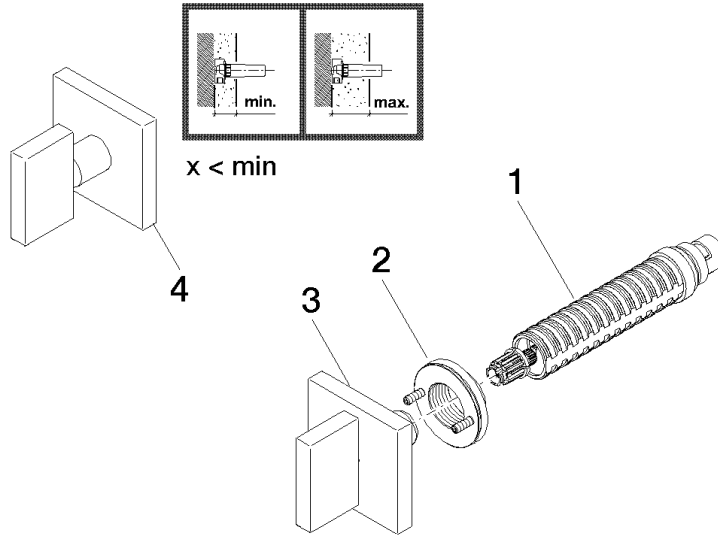
**Certificates**

---

|                 |              |        |           |                 |
|-----------------|--------------|--------|-----------|-----------------|
| DVGW_DW-6501DN0 | WRAS_2011    | LGA_29 | WRAS_2010 | DVGW_DW-6512DN0 |
| LGA_29          | IAPMO_4976 ( |        |           |                 |

**MEM Wall valve clockwise closing 1/2" - Chrome**

36 607 782 Product version from 10/14/2020



**Spare parts list**

| No. | Item Number        | Name   | Quantity used | Delivery time |
|-----|--------------------|--------|---------------|---------------|
| 1   | 90 90 03 143 00 90 | top    | 1             | 2             |
| 2   | 90 21 02 108 00 90 | disc   | 1             | 2             |
| 3   | 90 20 78 002 02-00 | handle | 1             | 2             |
| 4   | 90 20 78 002 01-00 | handle | 1             | 10            |