

## MEM Wall valve clockwise closing 1/2" - Platinum

36 607 782 Product version from 10/14/2020



- rosette 60 x 60 mm
- head part with cut-to-length spindle and sleeve
- WRAS

	Platinum	36 607 782-08
	Chrome	36 607 782-00
	Brushed Platinum	36 607 782-06
	Dark Chrome	36 607 782-19
	Brushed Durabronze (23kt Gold)	36 607 782-28
	Brushed Champagne (22kt Gold)	36 607 782-46
	Champagne (22kt Gold)	36 607 782-47
	Brushed Chrome	36 607 782-93
	Brushed Dark Platinum	36 607 782-99

### Required miscellaneous



- Wall valve 1/2" -**
- max. recess depth mm
  - min. recess depth mm

35 607 970 90

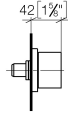


## MEM Wall valve clockwise closing 1/2" - Platinum

---

36 607 782 Product version from 10/14/2020

mm [inches]



### Codes & Standards

---

ASME A112.18.1	cUPC	DIN 4109	EN 1111
EN 200	ISO 3822	Scottish Water Byelaws	UK Water Supply Regulations

### Ü-Zeichen

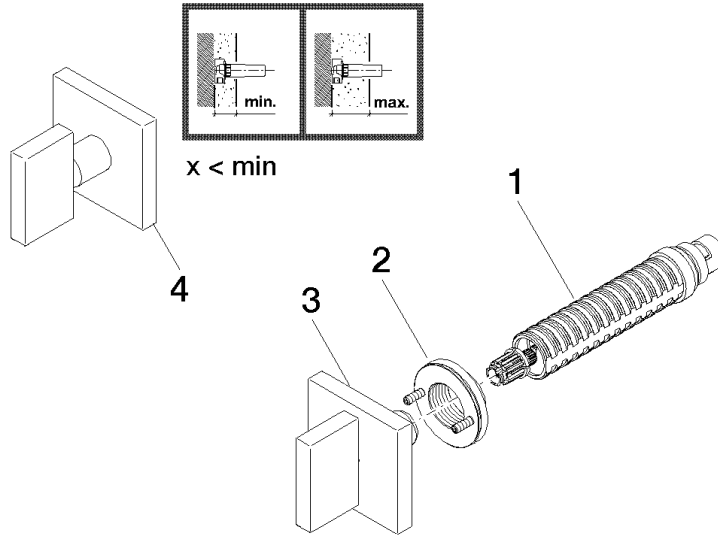
### Certificates

---

DVGW_DW-6501DN0	WRAS_2011	LGA_29	WRAS_2010	DVGW_DW-6512DN0
LGA_29	IAPMO_4976 (			

**MEM Wall valve clockwise closing 1/2" - Platinum**

36 607 782 Product version from 10/14/2020



**Spare parts list**

No.	Item Number	Name	Quantity used	Delivery time
1	90 90 03 143 00 90	top	1	2
2	90 21 02 108 00 90	disc	1	2
3	90 20 78 002 02-08	handle	1	40
4	90 20 78 002 01-08	handle	1	40