

MEM Wall valve clockwise closing 1/2" - Brushed Champagne (22kt Gold)

36 607 782 Product version from 10/14/2020



- rosette 60 x 60 mm
- head part with cut-to-length spindle and sleeve
- WRAS

	Brushed Champagne (22kt Gold)	36 607 782-46
	Chrome	36 607 782-00
	Brushed Platinum	36 607 782-06
	Platinum	36 607 782-08
	Dark Chrome	36 607 782-19
	Brushed Durabronze (23kt Gold)	36 607 782-28
	Champagne (22kt Gold)	36 607 782-47
	Brushed Chrome	36 607 782-93
	Brushed Dark Platinum	36 607 782-99

Required miscellaneous



- Wall valve 1/2" -**
- max. recess depth mm
 - min. recess depth mm

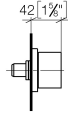
35 607 970 90



MEM Wall valve clockwise closing 1/2" - Brushed Champagne (22kt Gold)

36 607 782 Product version from 10/14/2020

mm [inches]



Codes & Standards

ASME A112.18.1	cUPC	DIN 4109	EN 1111
EN 200	ISO 3822	Scottish Water Byelaws	UK Water Supply Regulations

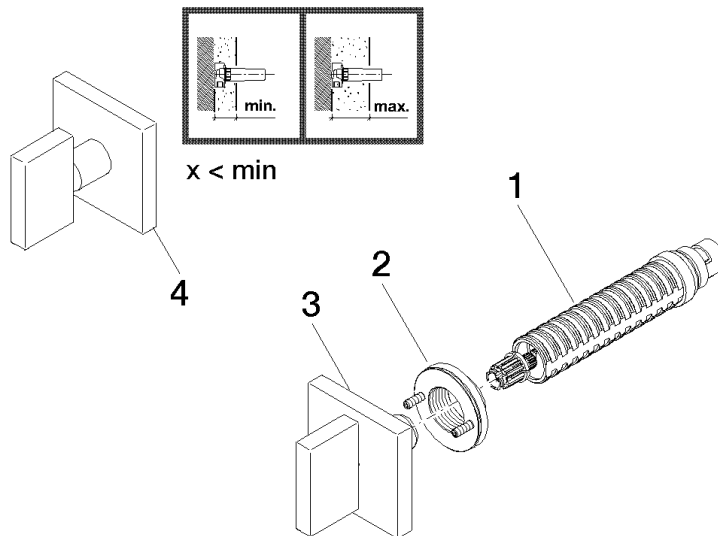
Ü-Zeichen

Certificates

DVGW_DW- 6501DN0	WRAS_2011	LGA_29	WRAS_2010	DVGW_DW- 6512DN0
IAPMO_4976 (

MEM Wall valve clockwise closing 1/2" - Brushed Champagne (22kt Gold)

36 607 782 Product version from 10/14/2020



Spare parts list

No.	Item Number	Name	Quantity used	Delivery time
1	90 90 03 143 00 90	top	1	2
2	90 21 02 108 00 90	disc	1	2
3	90 20 78 002 02-46	handle	1	30
4	90 20 78 002 01-46	handle	1	30