

MEM Wall valve clockwise closing 1/2" - Champagne (22kt Gold)

36 607 782 Product version from 10/14/2020

- rosette 60 x 60 mm
- head part with cut-to-length spindle and sleeve
- WRAS



	Champagne (22kt Gold)	36 607 782-47
	Chrome	36 607 782-00
	Brushed Platinum	36 607 782-06
	Platinum	36 607 782-08
	Dark Chrome	36 607 782-19
	Brushed Durabronze (23kt Gold)	36 607 782-28
	Brushed Champagne (22kt Gold)	36 607 782-46
	Brushed Chrome	36 607 782-93
	Brushed Dark Platinum	36 607 782-99

Required miscellaneous

- Wall valve 1/2" -** 35 607 970 90
- max. recess depth mm
 - min. recess depth mm

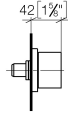




MEM Wall valve clockwise closing 1/2" - Champagne (22kt Gold)

36 607 782 Product version from 10/14/2020

mm [inches]



Codes & Standards

DIN 4109

EN 1111

EN 200

ISO 3822

Scottish Water
Byelaws

UK Water Supply
Regulations

Ü-Zeichen

Certificates

DVGW_DW-
6501DN0

WRAS_2011

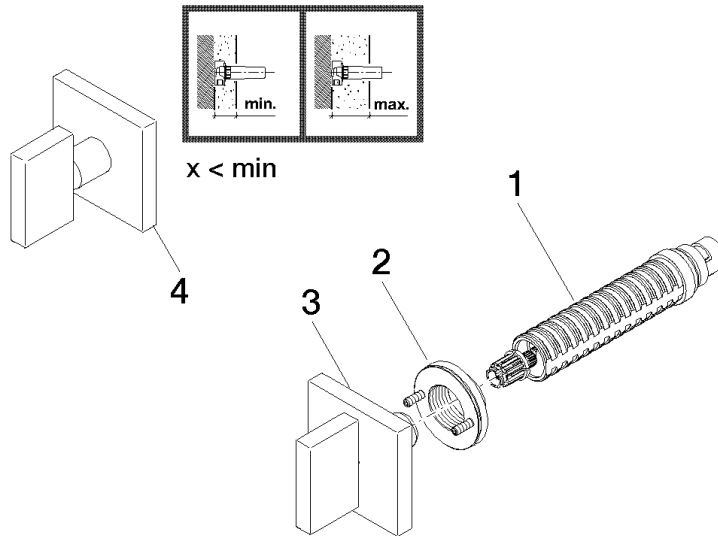
LGA_29

WRAS_2010

DVGW_DW-
6512DN0

MEM Wall valve clockwise closing 1/2" - Champagne (22kt Gold)

36 607 782 Product version from 10/14/2020



Spare parts list

No.	Item Number	Name	Quantity used	Delivery time
1	90 90 03 143 00 90	top	1	2
2	90 21 02 108 00 90	disc	1	2
3	90 20 78 002 02-47	handle	1	30
4	90 20 78 002 01-47	handle	1	30