

MEM Wall valve clockwise closing 1/2" - Brushed Dark Platinum


36 607 782 Product version from 10/14/2020



- rosette 60 x 60 mm
- head part with cut-to-length spindle and sleeve
- WRAS

	Brushed Dark Platinum	36 607 782-99
	Chrome	36 607 782-00
	Brushed Platinum	36 607 782-06
	Platinum	36 607 782-08
	Dark Chrome	36 607 782-19
	Brushed Durabronze (23kt Gold)	36 607 782-28
	Brushed Champagne (22kt Gold)	36 607 782-46
	Champagne (22kt Gold)	36 607 782-47
	Brushed Chrome	36 607 782-93

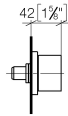
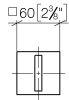
Required miscellaneous

- | | | |
|---|--------------------------|---------------|
|  | Wall valve 1/2" - | 35 607 970 90 |
| | •max. recess depth mm | |
| | •min. recess depth mm | |

MEM Wall valve clockwise closing 1/2" - Brushed Dark Platinum

36 607 782 Product version from 10/14/2020

mm [inches]



Codes & Standards

ASME A112.18.1	cUPC	DIN 4109	EN 1111
EN 200	ISO 3822	Scottish Water Byelaws	UK Water Supply Regulations

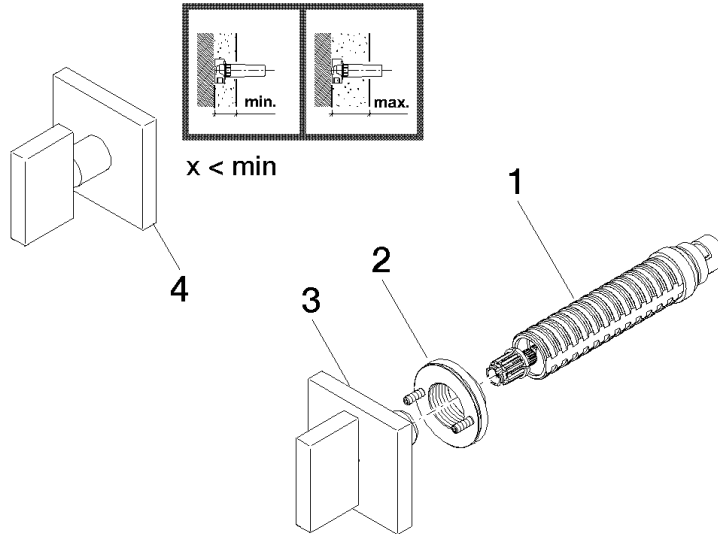
Ü-Zeichen

Certificates

DVGW_DW-6501DNO	WRAS_2011	LGA_29	WRAS_2010	DVGW_DW-6512DNO
LGA_29	IAPMO_4976 (

MEM Wall valve clockwise closing 1/2" - Brushed Dark Platinum

36 607 782 Product version from 10/14/2020



Spare parts list

No.	Item Number	Name	Quantity used	Delivery time
1	90 90 03 143 00 90	top	1	2
2	90 21 02 108 00 90	disc	1	2
3	90 20 78 002 02-99	handle	1	20
4	90 20 78 002 01-99	handle	1	20