

AXOR Citterio E
AXOR Citterio E Thermostatic Mixer Trim, 5"x5"
 Finishes : **chrome** Part no. : **36702001**



Description

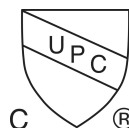
Features

- Flow: 16.0 GPM (60.6 L/Min)
- Thermostatic cartridge
- Anti-scald 100° safety stop

Item details

List Price

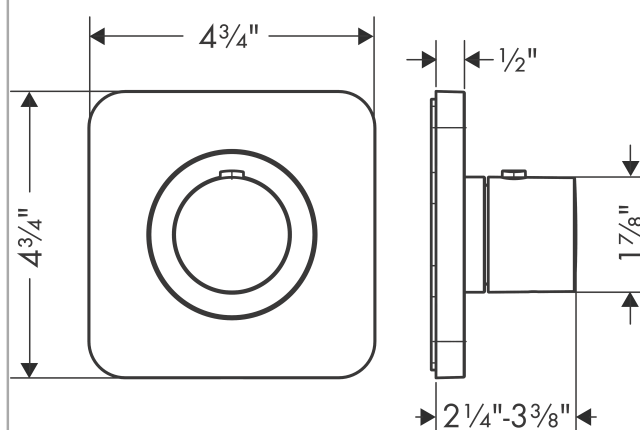
Compliance



Product image



Scale drawing

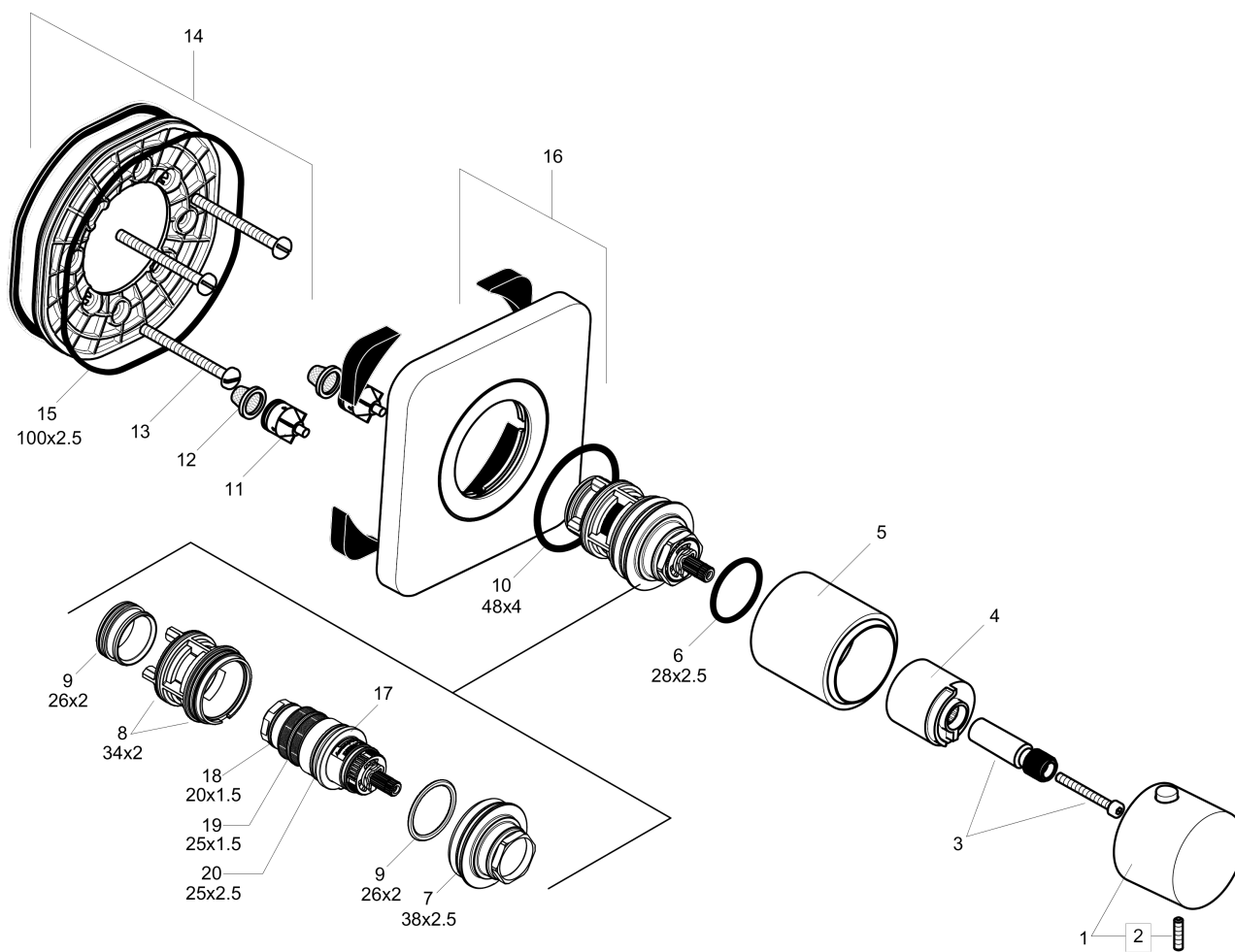


AXOR Citterio E
AXOR Citterio E Thermostatic Mixer Trim, 5"x5"
 Finishes : **chrome** Part no. : **36702001**



Exploded drawing

Year of production: >10/16



AXOR Citterio E
AXOR Citterio E Thermostatic Mixer Trim, 5"x5"
 Finishes : **chrome** Part no. : **36702001**



Spare parts list

Year of production: >10/16

Pos.	Description	Part no.	Price	PU
1	handle for thermostat	92534000	-	1
2	hollow set screw M4x16	97663000	-	1
3	adapter for handle	98701000	-	1
4	safety set for temperature control	97334000	-	1
5	sleeve	95331000	-	1
6	O-ring 28x2,5	98209000	-	1
7	O-ring 38x2,5	98198000	-	1
8	O-ring 34x2	98383000	-	1
9	O-ring 26x2	98147000	-	1
10	O-ring 48x4	98414000	-	1
11	set of non return valves DW 15	97350000	-	1
12	filter	97973000	-	1
13	set of fixing screws	96454000	-	1
14	sub plate	95450000	-	1
15	O-ring 100x2,5	98417000	-	1
16	escutcheon	92506000	-	1
17	thermostat cartridge	98282000	-	1
18	O-ring 20x1,5	98197000	-	1
19	O-ring 25x1,5	98146000	-	1
20	O-ring 25x2,5	92146000	-	1
a	base body	10754181	-	1
b	extension 25 mm	10790000	-	1