








MEM Wall-mounted three-hole lavatory mixer without drain - Brushed Platinum

36 702 782



- 5" Projection
- Rigid spout
- Rectangular aerated stream
- Valve hole diameter 1-3/8"
- Spout hole diameter 1-3/8"
- Individual flanges 2-3/8" x 2-3/8"
- Water flow rate limited to max. 1.2 gpm
- lead-free
- This product can help a building meet the requirements of Green Building Rating Systems, e.g. LEED®, BREEAM®, DGNB **(ADA)**

(ADA)

| | | |
|---|--------------------------------|--------------------|
|  | Brushed Platinum | 36 702 782-06 0010 |
|  | Chrome | 36 702 782-00 0010 |
|  | Platinum | 36 702 782-08 0010 |
|  | Brushed Durabronze (23kt Gold) | 36 702 782-28 0010 |
|  | Brushed Champagne (22kt Gold) | 36 702 782-46 0010 |
|  | Champagne (22kt Gold) | 36 702 782-47 0010 |
|  | Brushed Dark Platinum | 36 702 782-99 0010 |

Required article



Rough for wall-mounted faucet , spout in center - 35 700 970-90 0010
 ●Min. rough in depth "
 ●Max. rough in depth "

Required article



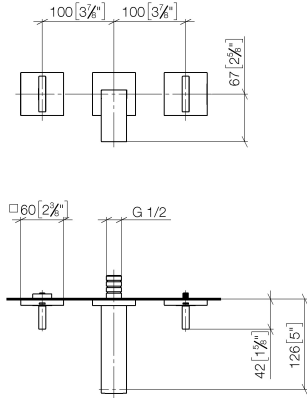
Rough for wall-mounted faucet flexible positioning - 35 720 970-90 0010
 ●Max. rough in depth "
 ●Min. rough in depth "



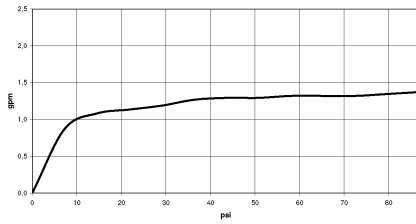
MEM Wall-mounted three-hole lavatory mixer without drain - Brushed Platinum

36 702 782

mm [inches]



Flow rate chart



Codes & Standards

ASME A112.18.1 California Energy Commission (CEC) cUPC EPA WaterSense

NSF372

NSF61

WaterSense





MEM Wall-mounted three-hole lavatory mixer without drain - Brushed Platinum

36 702 782

Certificates

IAPMO_6397

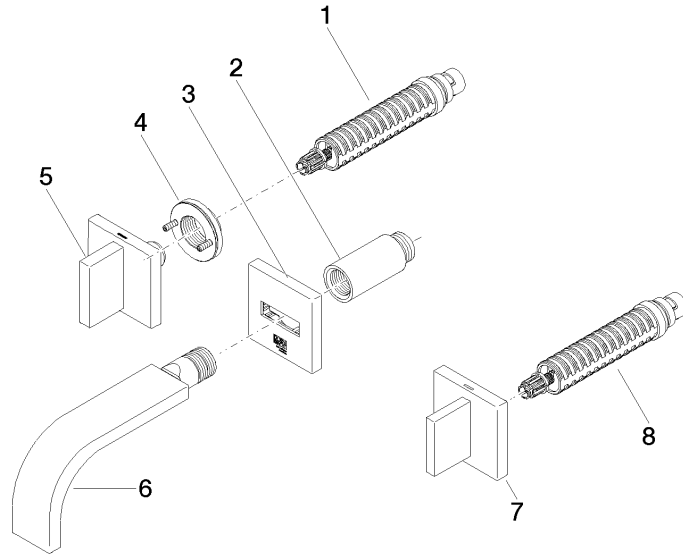
IAPMO_N-4976

IAPMO_8834

IAPMO_4976 (

MEM Wall-mounted three-hole lavatory mixer without drain - Brushed Platinum

36 702 782



Spare parts list

| Number | Item Number | Designation | Number of units | Lead time |
|--------|--------------------|-----------------|-----------------|-----------|
| 1 | 90 90 03 156 00 90 | top | 1 | 2 |
| 2 | 09 24 03 081 10 90 | extension | 1 | 2 |
| 3 | 90 27 78 053 00-06 | rosette | 1 | 10 |
| 4 | 90 21 02 108 00 90 | disc | 1 | 2 |
| 5 | 90 20 78 002 07-06 | handle (hot) | 1 | 10 |
| 6 | 90 28 22 357 01-06 | spout | 1 | 10 |
| 7 | 90 20 78 002 06-06 | handle (cold) | 1 | 10 |
| 8 | 90 90 03 157 00 90 | top | 1 | 2 |