



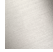




**MEM Wall-mounted three-hole lavatory mixer without drain - Platinum**

36 702 782



- 5" Projection
- Rigid spout
- Rectangular aerated stream
- Valve hole diameter 1-3/8"
- Spout hole diameter 1-3/8"
- Individual flanges 2-3/8" x 2-3/8"
- Water flow rate limited to max. 1.2 gpm
- lead-free
- This product can help a building meet the requirements of Green Building Rating Systems, e.g. LEED®, BREEAM®, DGNB **(ADA)**

(ADA)

	Platinum	36 702 782-08 0010
	Chrome	36 702 782-00 0010
	Brushed Platinum	36 702 782-06 0010
	Brushed Durabronze (23kt Gold)	36 702 782-28 0010
	Brushed Champagne (22kt Gold)	36 702 782-46 0010
	Champagne (22kt Gold)	36 702 782-47 0010
	Brushed Dark Platinum	36 702 782-99 0010

**Required article**



- Rough for wall-mounted faucet , spout in center -** 35 700 970-90 0010
- Min. rough in depth "
  - Max. rough in depth "

**Required article**



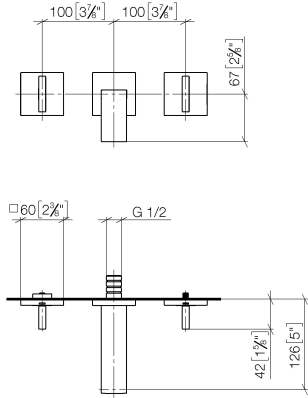
- Rough for wall-mounted faucet flexible positioning -** 35 720 970-90 0010
- Max. rough in depth "
  - Min. rough in depth "



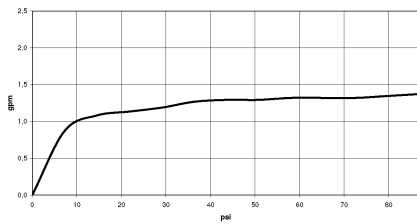
# MEM Wall-mounted three-hole lavatory mixer without drain - Platinum

36 702 782

mm [inches]



## Flow rate chart



## Codes & Standards

ASME A112.18.1 California Energy Commission (CEC) cUPC EPA WaterSense

NSF372

NSF61

WaterSense





## MEM Wall-mounted three-hole lavatory mixer without drain - Platinum

---

36 702 782

### Certificates

---

IAPMO\_6397

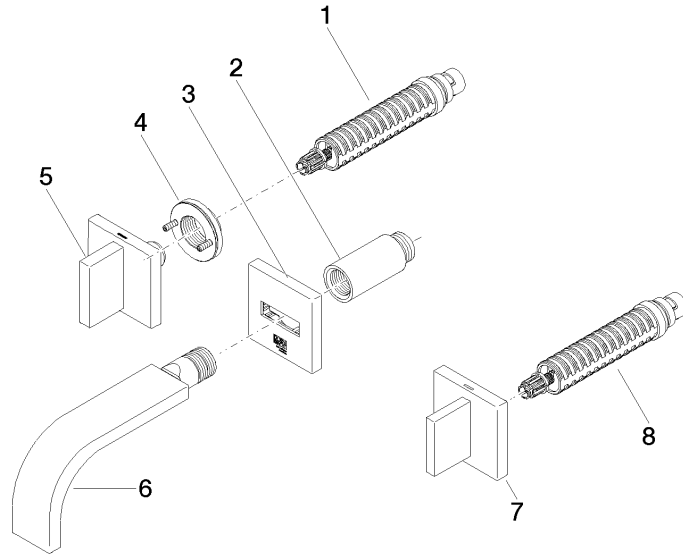
IAPMO\_N-4976

IAPMO\_8834

IAPMO\_4976 (

**MEM Wall-mounted three-hole lavatory mixer without drain - Platinum**

36 702 782



**Spare parts list**

Number	Item Number	Designation	Number of units	Lead time
1	90 90 03 156 00 90	top	1	2
2	09 24 03 081 10 90	extension	1	2
3	90 27 78 053 00-08	rosette	1	40
4	90 21 02 108 00 90	disc	1	2
5	90 20 78 002 07-08	handle ( hot )	1	40
6	90 28 22 357 01-08	spout	1	40
7	90 20 78 002 06-08	handle ( cold )	1	40
8	90 90 03 157 00 90	top	1	2