



MEM Wall-mounted three-hole lavatory mixer without drain - Brushed Durabronz (23kt Gold)

36 702 782



- 5" Projection
- Rigid spout
- Rectangular aerated stream
- Valve hole diameter 1-3/8"
- Spout hole diameter 1-3/8"
- Individual flanges 2-3/8" x 2-3/8"
- Water flow rate limited to max. 1.2 gpm
- lead-free
- This product can help a building meet the requirements of Green Building Rating Systems, e.g. LEED®, BREEAM®, DGNB

(ADA)

(ADA)

	Brushed Durabronz (23kt Gold)	36 702 782-28 0010
	Chrome	36 702 782-00 0010
	Brushed Platinum	36 702 782-06 0010
	Platinum	36 702 782-08 0010
	Brushed Champagne (22kt Gold)	36 702 782-46 0010
	Champagne (22kt Gold)	36 702 782-47 0010
	Brushed Dark Platinum	36 702 782-99 0010

Required article



Rough for wall-mounted faucet , spout in center - 35 700 970-90 0010

- Min. rough in depth "
- Max. rough in depth "

Required article



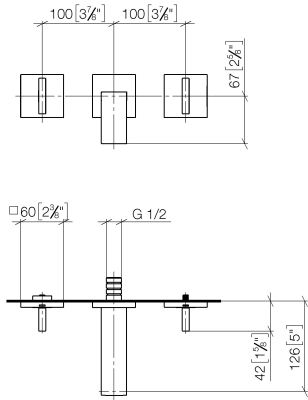
Rough for wall-mounted faucet flexible positioning - 35 720 970-90 0010

- Max. rough in depth "
- Min. rough in depth "

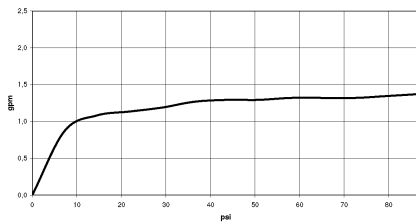


MEM Wall-mounted three-hole lavatory mixer without drain - Brushed Durabronz (23kt Gold)

36 702 782
mm [inches]



Flow rate chart



Codes & Standards

California Energy
Commission
(CEC)

NSF372

NSF61



MEM Wall-mounted three-hole lavatory mixer without drain - Brushed
Durabron (23kt Gold)

36 702 782

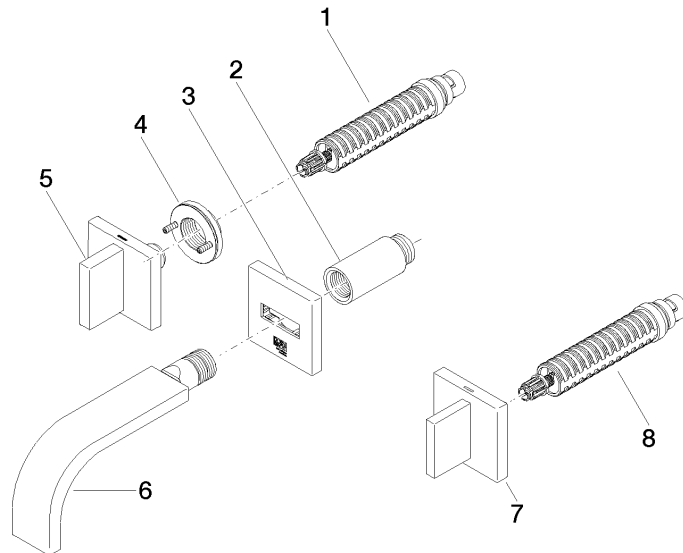
Certificates

IAPMO_6397

IAPMO_N-4976

**MEM Wall-mounted three-hole lavatory mixer without drain - Brushed
Durabronz (23kt Gold)**

36 702 782



Spare parts list

Number	Item Number	Designation	Number of units	Lead time
1	90 90 03 156 00 90	top	1	2
2	09 24 03 081 10 90	extension	1	2
3	90 27 78 053 00-28	rosette	1	20
4	90 21 02 108 00 90	disc	1	2
5	90 20 78 002 07-28	handle (hot)	1	20
6	90 28 22 357 01-28	spout	1	20
7	90 20 78 002 06-28	handle (cold)	1	20
8	90 90 03 157 00 90	top	1	2