



## MEM Wall-mounted three-hole lavatory mixer without drain - Brushed Dark Platinum

36 702 782



- 5" Projection
- Rigid spout
- Rectangular aerated stream
- Valve hole diameter 1-3/8"
- Spout hole diameter 1-3/8"
- Individual flanges 2-3/8" x 2-3/8"
- Water flow rate limited to max. 1.2 gpm
- lead-free
- This product can help a building meet the requirements of Green Building Rating Systems, e.g. LEED®, BREEAM®, DGNB **(ADA)**

(ADA)

	Brushed Dark Platinum	36 702 782-99 0010
	Chrome	36 702 782-00 0010
	Brushed Platinum	36 702 782-06 0010
	Platinum	36 702 782-08 0010
	Brushed Durabronze (23kt Gold)	36 702 782-28 0010
	Brushed Champagne (22kt Gold)	36 702 782-46 0010
	Champagne (22kt Gold)	36 702 782-47 0010

### Required article



- Rough for wall-mounted faucet , spout in center -** 35 700 970-90 0010
- Min. rough in depth "
  - Max. rough in depth "

### Required article

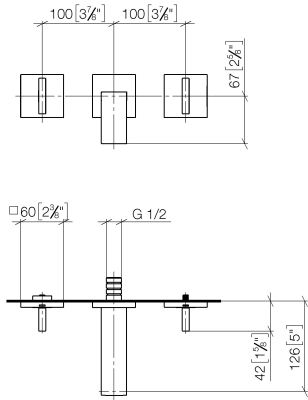


- Rough for wall-mounted faucet flexible positioning -** 35 720 970-90 0010
- Max. rough in depth "
  - Min. rough in depth "

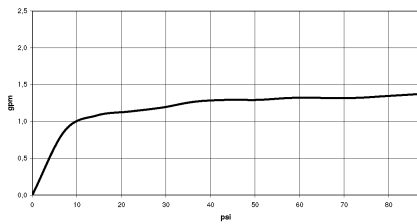


# MEM Wall-mounted three-hole lavatory mixer without drain - Brushed Dark Platinum


36 702 782  
mm [inches]



## Flow rate chart



## Codes & Standards

ASME A112.18.1	California Energy Commission (CEC)	cUPC	EPA WaterSense
NSF372	NSF61	WaterSense	



## MEM Wall-mounted three-hole lavatory mixer without drain - Brushed Dark Platinum

---

36 702 782

Certificates

---

IAPMO\_6397

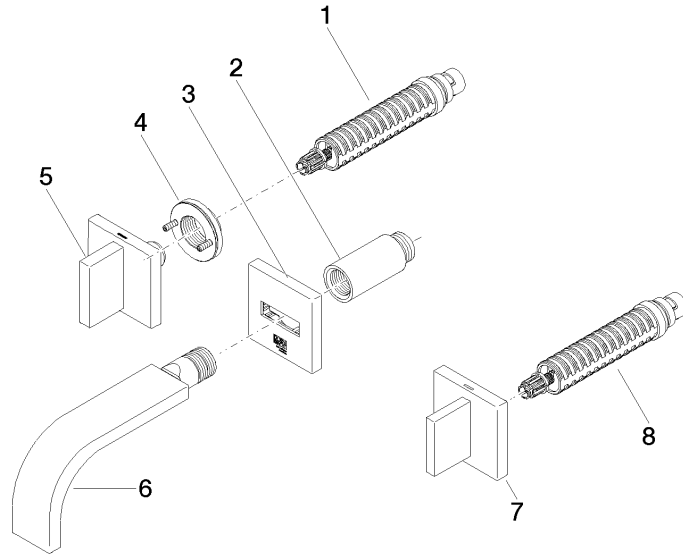
IAPMO\_N-4976

IAPMO\_8834

IAPMO\_4976 (

**MEM Wall-mounted three-hole lavatory mixer without drain - Brushed Dark Platinum**

36 702 782



**Spare parts list**

Number	Item Number	Designation	Number of units	Lead time
1	90 90 03 156 00 90	top	1	2
2	09 24 03 081 10 90	extension	1	2
3	90 27 78 053 00-99	rosette	1	20
4	90 21 02 108 00 90	disc	1	2
5	90 20 78 002 07-99	handle ( hot )	1	20
6	90 28 22 357 01-99	spout	1	20
7	90 20 78 002 06-99	handle ( cold )	1	20
8	90 90 03 157 00 90	top	1	2