

AXOR ShowerSelect
AXOR ShowerSelect SoftCube Thermostatic 2-Function Trim
 Finishes : **chrome** Part no. : **36707001**



Description

Features

- Outlets may be operated simultaneously
- Select push-button on/off control for 2 outlets
- Flow: 8.0 GPM (30.3 L/Min) / 2.0 GPM (7.6 L/Min)
- Thermostatic cartridge, Start/stop cartridge
- Anti-scald 100° safety stop
- Optimized for water-efficient shower products
- Includes optional accessory to limit total flow to 2.0 GPM @ 80 psi where required

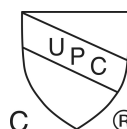
Item details

List Price

Technology



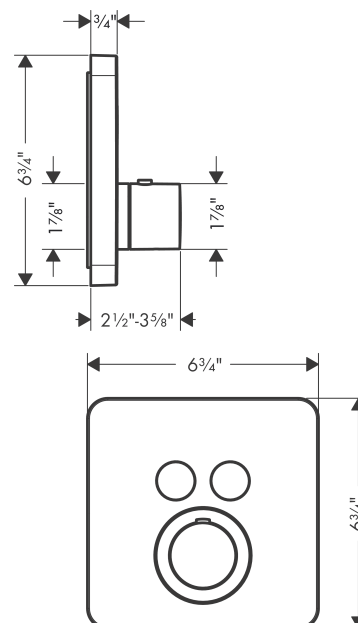
Compliance



Product image



Scale drawing

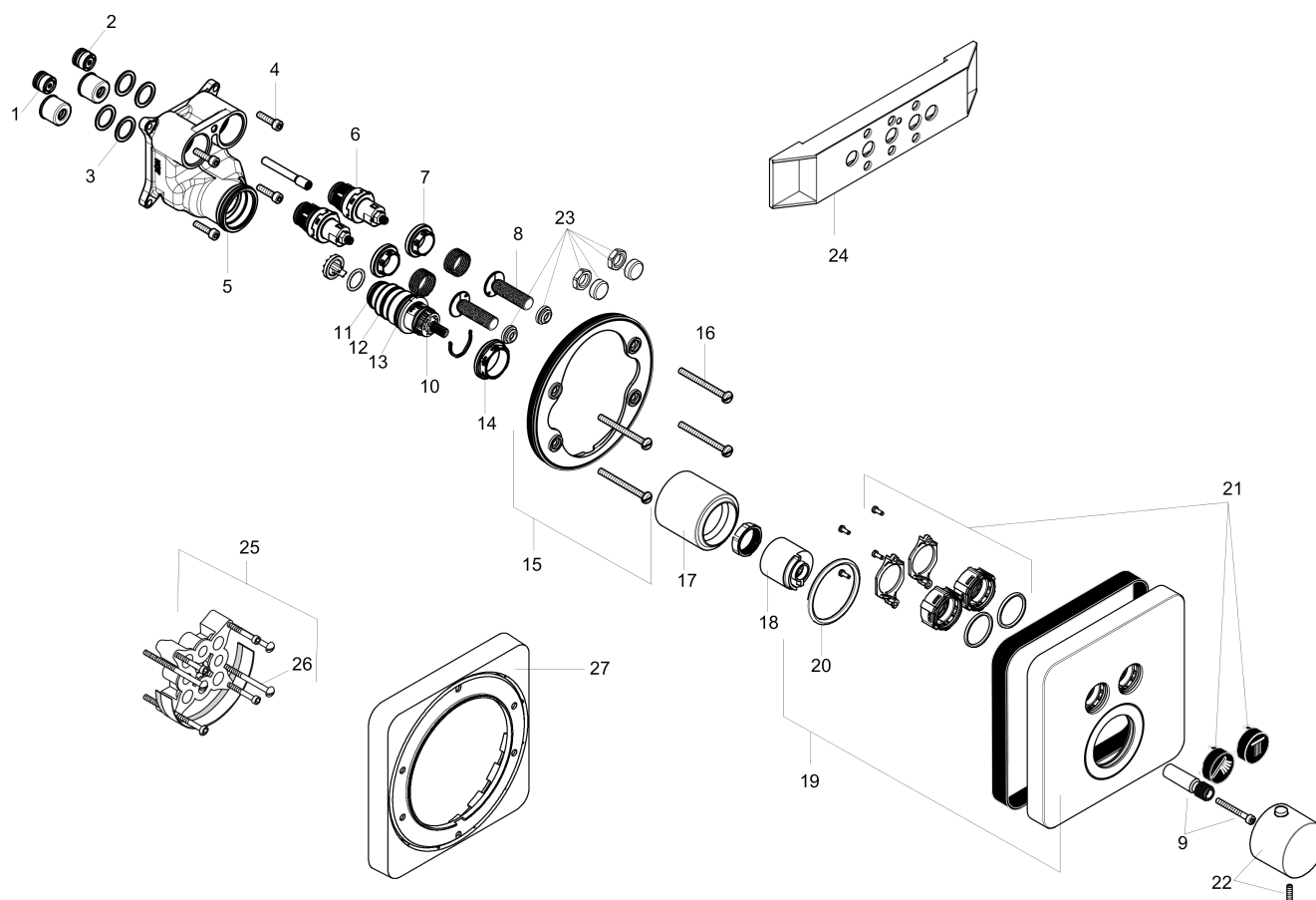


AXOR ShowerSelect
AXOR ShowerSelect SoftCube Thermostatic 2-Function Trim
Finishes : **chrome** Part no. : **36707001**



Exploded drawing

Year of production: >10/15



AXOR ShowerSelect
AXOR ShowerSelect SoftCube Thermostatic 2-Function Trim
 Finishes : **chrome** Part no. : **36707001**



Spare parts list

Year of production: >10/15

| Pos. | Description | Part no. | Price | PU |
|------|---|----------|-------|----|
| 1 | non return valve (pressure-resistant up to 2 MPa) | 92594000 | - | 1 |
| 2 | noise reduction | 94073000 | - | 1 |
| 3 | O-ring 16x2 | 98133000 | - | 1 |
| 4 | set of screws | 96525000 | - | 1 |
| 5 | O-ring 36x2 | 98156000 | - | 1 |
| 6 | shut off unit | 95758000 | - | 1 |
| 7 | nut | 98368000 | - | 1 |
| 8 | Select-adapter | 92219000 | - | 1 |
| 9 | adapter for handle | 98701000 | - | 1 |
| 10 | thermostat cartridge | 98282001 | - | 1 |
| 11 | O-ring 20x1,5 | 98197000 | - | 1 |
| 12 | O-ring 25x1,5 | 98146000 | - | 1 |
| 13 | O-ring 25x2,5 | 92146000 | - | 1 |
| 14 | nut | 98913000 | - | 1 |
| 15 | holder for escutcheon | 98793000 | - | 1 |
| 16 | set of fixing screws | 96454000 | - | 1 |
| 17 | sleeve | 92546000 | - | 1 |
| 18 | safety set for temperature control | 97334000 | - | 1 |
| 19 | escutcheon 170 / 170 mm | 92549000 | - | 1 |
| 20 | O-Ring 48x3 | 95508000 | - | 1 |
| 21 | set of symbols | 92544610 | - | 1 |
| 22 | handle for thermostat | 92534000 | - | 1 |
| 23 | nut and flange | 92696000 | - | 1 |
| 24 | fit-up aid | 92540000 | - | 1 |
| 25 | extension 25 mm | 13595000 | - | 1 |
| 26 | set of fixing screws | 97747000 | - | 1 |
| 27 | extension 22 mm | 98860000 | - | 1 |
| a | Grease | 90920000 | - | 1 |
| b | compensation set 1° | 95521000 | - | 1 |
| c | symbol head shower Rain large | 93571610 | - | 1 |
| d | symbol head shower Rain small | 93572610 | - | 1 |
| e | symbol handshower | 93573610 | - | 1 |
| f | symbol Flood jet | 93574610 | - | 1 |
| g | symbol Whirl | 93575610 | - | 1 |
| h | symbol Mono | 93576610 | - | 1 |
| i | symbol tub | 93577610 | - | 1 |
| j | symbol body shower | 93578610 | - | 1 |
| k | symbol ON/OFF | 93579610 | - | 1 |