



TARA Wall-mounted three-hole lavatory mixer without drain - Chrome

36 707 882 Product version from 4/1/2024



- 6-1/4" Projection
- Rigid spout
- Round aerated stream
- Valve hole diameter 1-5/8"
- Spout hole diameter 1-5/8"
- Flange diameter 2-1/8"
- Water flow rate limited to max. 1.2 gpm
- lead-free
- This product can help a building meet the requirements of Green Building Rating Systems, e.g. LEED®, BREEAM®, DGNB **(ADA)**

(ADA)

| | | |
|--|--------------------------------|--------------------|
| | Chrome | 36 707 882-00 0010 |
| | Brushed Platinum | 36 707 882-06 0010 |
| | Platinum | 36 707 882-08 0010 |
| | Dark Chrome | 36 707 882-19 0010 |
| | Brushed Durabronze (23kt Gold) | 36 707 882-28 0010 |
| | Matte Black | 36 707 882-33 0010 |
| | Brushed Bronze | 36 707 882-42 0010 |
| | Brushed Champagne (22kt Gold) | 36 707 882-46 0010 |
| | Champagne (22kt Gold) | 36 707 882-47 0010 |
| | Brushed Chrome | 36 707 882-93 0010 |
| | Brushed Dark Platinum | 36 707 882-99 0010 |

Required article



- Rough for wall-mounted faucet , spout in center -** 35 700 970-90 0010
- Max. rough in depth "
 - Min. rough in depth "

Required article

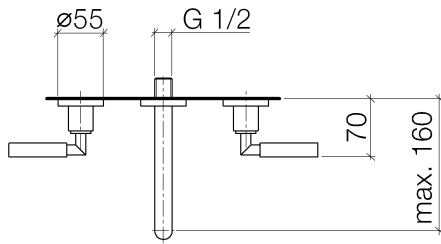
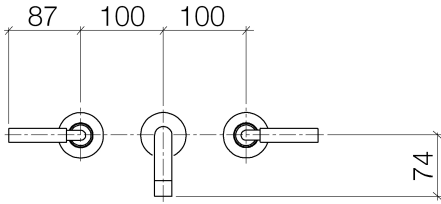


- Rough for wall-mounted faucet flexible positioning -** 35 720 970-90 0010
- Max. rough in depth "
 - Min. rough in depth "



TARA Wall-mounted three-hole lavatory mixer without drain - Chrome

36 707 882 Product version from 4/1/2024



Codes & Standards

| | | | |
|--------|----------------|---------------------------------|--|
| ADA | ASME A112.18.1 | ASME A112.18.1/CSA B125.1 | California Energy Commission (CEC) |
| cUPC | EPA WaterSense | NSF/ANSI 372 | NSF/ANSI/CAN 61 |
| NSF372 | NSF61 | Water Sense | WaterSense |

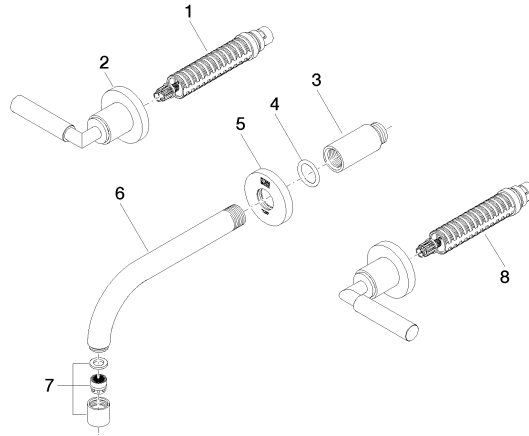


Certificates

IAPMO_N-4976 IAPMO_6397 IAPMO_8834 IAPMO_4976 (

TARA Wall-mounted three-hole lavatory mixer without drain - Chrome

36 707 882 Product version from 4/1/2024



Spare parts list

| Number | Item Number | Designation | Number of units | Lead time |
|--------|--------------------|-------------|-----------------|-----------|
| 1 | 90 90 03 156 00 90 | top | 1 | 2 |
| 2 | 36 310 882-00 | connection | 2 | 10 |
| 3 | 09 24 03 081 10 90 | extension | 1 | 2 |
| 4 | 90 14 10 026 00 90 | seal | 1 | 2 |
| 5 | 09 27 22 501-00 | rosette | 1 | 10 |
| 6 | 04 28 22 089 10-00 | spout | 1 | 10 |
| 7 | 90 23 01 019 02-00 | aerator | 1 | 10 |
| 8 | 90 90 03 157 00 90 | top | 1 | 2 |