

TARA Wall-mounted three-hole lavatory mixer without drain - Chrome

36 707 892 Product version from 4/1/2024



- 6-1/4" Projection
- Rigid spout
- Round aerated stream
- Valve hole diameter 1-5/8"
- Spout hole diameter 1-5/8"
- Flanges, diameter 2-1/8"
- Water flow rate limited to max. 1.2 gpm
- lead-free
- This product can help a building meet the requirements of Green Building Rating Systems, e.g. LEED®, BREEAM®, DGNB **(ADA)**

(ADA)

	Chrome	36 707 892-00 0010
	Brushed Platinum	36 707 892-06 0010
	Platinum	36 707 892-08 0010
	Dark Chrome	36 707 892-19 0010
	Brushed Durabronze (23kt Gold)	36 707 892-28 0010
	Matte Black	36 707 892-33 0010
	Brushed Bronze	36 707 892-42 0010
	Brushed Champagne (22kt Gold)	36 707 892-46 0010
	Champagne (22kt Gold)	36 707 892-47 0010
	Brushed Chrome	36 707 892-93 0010
	Brushed Dark Platinum	36 707 892-99 0010

Required article



- Rough for wall-mounted faucet , spout in center -** 35 700 970-90 0010
- Max. rough in depth "
 - Min. rough in depth "

Required article

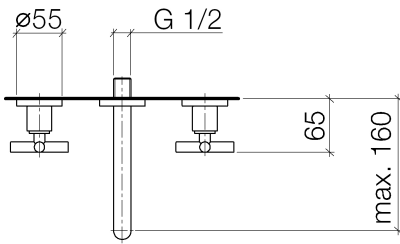
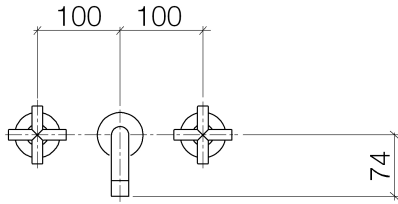


- Rough for wall-mounted faucet flexible positioning -** 35 720 970-90 0010
- Max. rough in depth "
 - Min. rough in depth "



TARA Wall-mounted three-hole lavatory mixer without drain - Chrome

36 707 892 Product version from 4/1/2024



Codes & Standards

ADA	ASME A112.18.1	ASME A112.18.1/CSA B125.1	California Energy Commission (CEC)
cUPC	EPA WaterSense	NSF/ANSI 372	NSF/ANSI/CAN 61
NSF372	NSF61	Water Sense	WaterSense

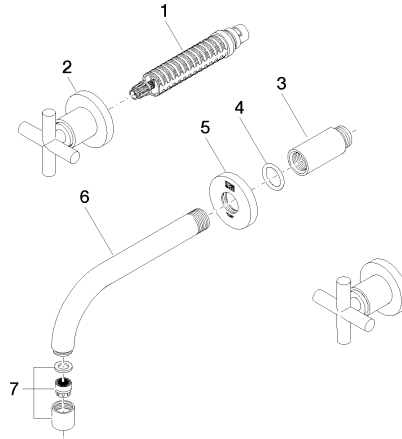


Certificates

IAPMO_N-4976 IAPMO_6397 IAPMO_8834 IAPMO_4976 (

TARA Wall-mounted three-hole lavatory mixer without drain - Chrome

36 707 892 Product version from 4/1/2024



Spare parts list

Number	Item Number	Designation	Number of units	Lead time
1	90 90 03 157 00 90	top	2	2
2	36 310 892-00	connection	2	10
3	09 24 03 081 10 90	extension	1	2
4	90 14 10 026 00 90	seal	1	2
5	09 27 22 501-00	rosette	1	10
6	04 28 22 089 10-00	spout	1	10
7	90 23 01 019 02-00	aerator	1	10