



## MEM Wall-mounted three-hole lavatory mixer without drain - Dark Chrome

36 712 782



- 7-7/8" Projection
- Rigid spout
- Rectangular aerated stream
- Valve hole diameter 1-5/8"
- Spout hole diameter 1-5/8"
- Individual flanges 2-3/8" x 2-3/8"
- Water flow rate limited to max. 1.2 gpm
- lead-free
- This product can help a building meet the requirements of Green Building Rating Systems, e.g. LEED®, BREEAM®, DGNB

(ADA)

	Dark Chrome	36 712 782-19 0010
	Chrome	36 712 782-00 0010
	Brushed Platinum	36 712 782-06 0010
	Platinum	36 712 782-08 0010
	Brushed Durabronze (23kt Gold)	36 712 782-28 0010
	Brushed Champagne (22kt Gold)	36 712 782-46 0010
	Champagne (22kt Gold)	36 712 782-47 0010
	Brushed Dark Platinum	36 712 782-99 0010

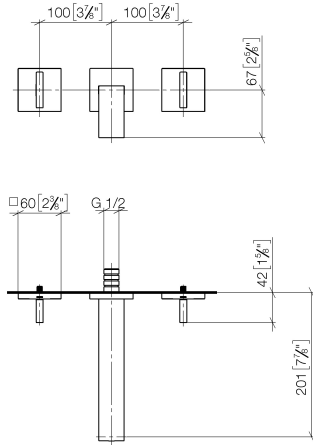


## MEM Wall-mounted three-hole lavatory mixer without drain - Dark Chrome

---

36 712 782

mm [inches]



### Codes & Standards

---

ADA	ASME A112.18.1	ASME A112.18.1/CSA B125.1	California Energy Commission (CEC)
cUPC	NSF/ANSI 372	NSF/ANSI/CAN 61	NSF372
NSF61			

### Certificates

---

IAPMO\_N-4976    IAPMO\_6397    IAPMO\_4976 (

# MEM Wall-mounted three-hole lavatory mixer without drain - Dark Chrome

36 712 782

Parts for other finishes can be found here: [Chrome](#)

