



MEM Wall-mounted three-hole lavatory mixer without drain - Brushed Durabron (23kt Gold)

36 712 782 Product version from 10/27/2020



- 7-7/8" Projection
- Rigid spout
- Rectangular aerated stream
- Valve hole diameter 1-5/8"
- Spout hole diameter 1-5/8"
- Individual flanges 2-3/8" x 2-3/8"
- Water flow rate limited to max. 1.2 gpm
- lead-free
- This product can help a building meet the requirements of Green Building Rating Systems, e.g. LEED®, BREEAM®, DGNB (ADA)

(ADA)

	Brushed Durabron (23kt Gold)	36 712 782-28 0010
	Chrome	36 712 782-00 0010
	Brushed Platinum	36 712 782-06 0010
	Platinum	36 712 782-08 0010
	Dark Chrome	36 712 782-19 0010
	Brushed Champagne (22kt Gold)	36 712 782-46 0010
	Champagne (22kt Gold)	36 712 782-47 0010
	Brushed Dark Platinum	36 712 782-99 0010

Required article



Rough for wall-mounted faucet , spout in center - 35 700 970-90 0010

- Max. rough in depth "
- Min. rough in depth "

Required article



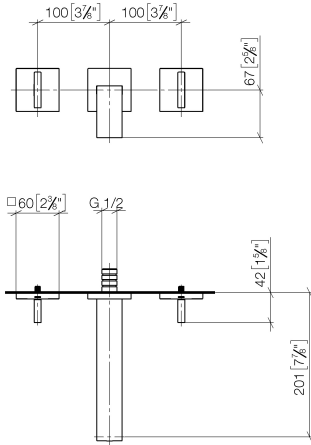
Rough for wall-mounted faucet flexible positioning - 35 720 970-90 0010

- Max. rough in depth "
- Min. rough in depth "



MEM Wall-mounted three-hole lavatory mixer without drain - Brushed Durabronz (23kt Gold)

36 712 782 Product version from 10/27/2020
mm [inches]



Codes & Standards

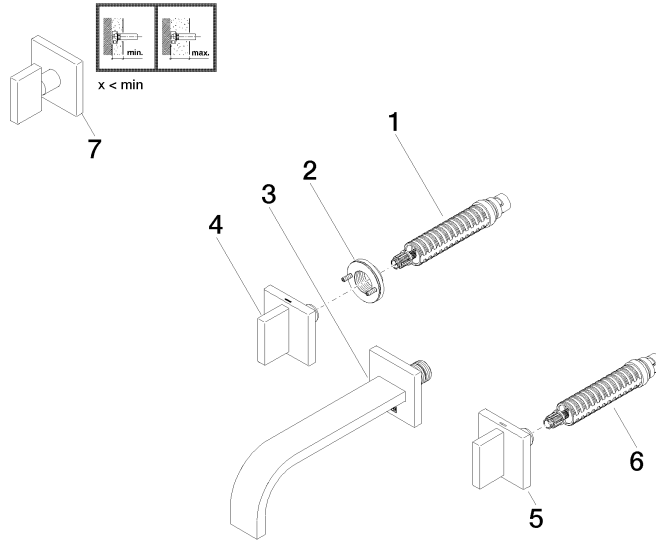
ADA	ASME A112.18.1/CSA B125.1	California Energy Commission (CEC)	NSF/ANSI 372
NSF/ANSI/CAN 61	NSF372	NSF61	

Certificates

IAPMO_N-4976 IAPMO_6397

MEM Wall-mounted three-hole lavatory mixer without drain - Brushed Durabronz (23kt Gold)

36 712 782 Product version from 10/27/2020



Spare parts list

Number	Item Number	Designation	Number of units	Lead time
1	90 90 03 156 00 90	top	1	2
2	90 21 02 108 00 90	disc	1	2
3	13 800 782-28 0010	MEM Lavatory spout, wall-mounted without drain - Brushed Durabronz (23kt Gold)	1	-
Spare part can no longer be ordered, please order the replacement item				
4	90 20 78 002 07-28	handle (hot)	1	20
5	90 20 78 002 06-28	handle (cold)	1	20
6	90 90 03 157 00 90	top	1	2
7	90 20 78 002 01-28	handle	1	20