



TARA Wall-mounted three-hole lavatory mixer without drain - Brushed Durabronze (23kt Gold)

36 712 882 Product version from 4/1/2024



- 7-1/2" Projection
- Round aerated stream
- Valve hole diameter 1-5/8"
- Spout hole diameter 1-5/8"
- Flange diameter 2-1/8"
- Water flow rate limited to max. 1.2 gpm
- lead-free
- This product can help a building meet the requirements of Green Building Rating Systems, e.g. LEED®, BREEAM®, DGNB (ADA)

(ADA)

	Brushed Durabronze (23kt Gold)	36 712 882-28 0010
	Chrome	36 712 882-00 0010
	Brushed Platinum	36 712 882-06 0010
	Platinum	36 712 882-08 0010
	Dark Chrome	36 712 882-19 0010
	Matte Black	36 712 882-33 0010
	Brushed Bronze	36 712 882-42 0010
	Brushed Champagne (22kt Gold)	36 712 882-46 0010
	Champagne (22kt Gold)	36 712 882-47 0010
	Brushed Chrome	36 712 882-93 0010
	Brushed Dark Platinum	36 712 882-99 0010

Required article



- Rough for wall-mounted faucet , spout in center -** 35 700 970-90 0010
- Max. rough in depth "
 - Min. rough in depth "

Required article

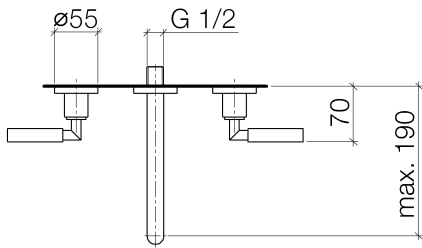
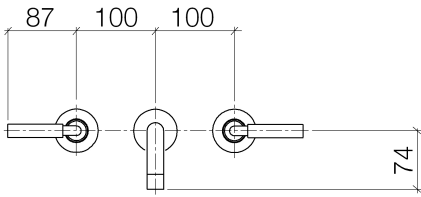


- Rough for wall-mounted faucet flexible positioning -** 35 720 970-90 0010
- Max. rough in depth "
 - Min. rough in depth "



TARA Wall-mounted three-hole lavatory mixer without drain - Brushed Durabronz (23kt Gold)

36 712 882 Product version from 4/1/2024



Codes & Standards

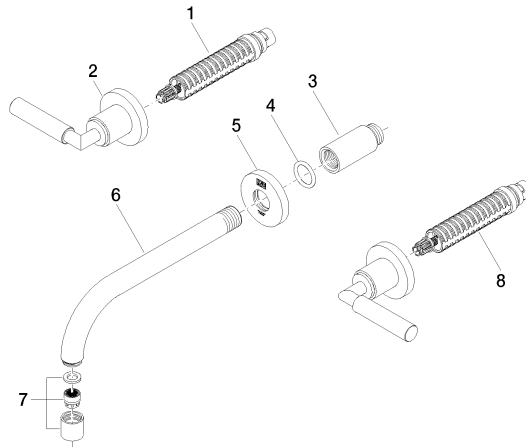
ADA	ASME A112.18.1/CSA B125.1	California Energy Commission (CEC)	NSF/ANSI 372
NSF/ANSI/CAN 61	NSF372	NSF61	

Certificates

IAPMO_N-4976 IAPMO_6397

TARA Wall-mounted three-hole lavatory mixer without drain - Brushed Durabronz (23kt Gold)

36 712 882 Product version from 4/1/2024



Spare parts list

Number	Item Number	Designation	Number of units	Lead time
1	90 90 03 156 00 90	top	1	2
2	36 310 882-28	connection	2	20
3	09 24 03 081 10 90	extension	1	2
4	90 14 10 026 00 90	seal	1	2
5	09 27 22 501-28	rosette	1	20
6	04 28 22 090 10-28	spout	1	20
7	90 23 01 019 02-28	aerator	1	20
8	90 90 03 157 00 90	top	1	2