

TARA Wall-mounted basin mixer without pop-up waste - Platinum

36 712 892 Product version from 4/1/2024



- 190mm projection
- fixed spout
- circular, air-enriched flow
- hole diameter valve 40 mm
- hole diameter spout 40 mm
- rosette Ø 55 mm
- max. flow 4.5 l/min
- lead-free
- This product can help a building meet the requirements of Green Building Rating Systems, e.g. LEED®, BREEAM®, DGNB

	Platinum	36 712 892-08 0010
	Chrome	36 712 892-00 0010
	Brushed Platinum	36 712 892-06 0010
	Dark Chrome	36 712 892-19 0010
	Brushed Durabronz (23kt Gold)	36 712 892-28 0010
	Matte Black	36 712 892-33 0010
	Brushed Bronze	36 712 892-42 0010
	Brushed Champagne (22kt Gold)	36 712 892-46 0010
	Champagne (22kt Gold)	36 712 892-47 0010
	Brushed Chrome	36 712 892-93 0010
	Brushed Dark Platinum	36 712 892-99 0010

Required miscellaneous



- Concealed wall-mounted mixer centred spout -** 35 700 970-90 0010
- max. recess depth mm
 - min. recess depth mm

Required miscellaneous

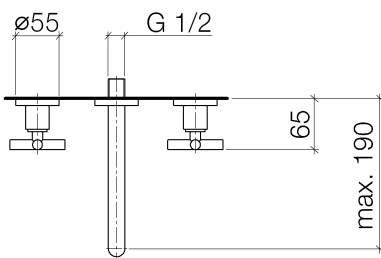
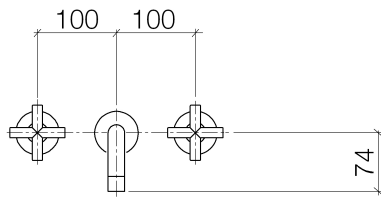


- Concealed wall-mounted mixer variable positioning -** 35 720 970-90 0010
- max. recess depth mm
 - min. recess depth mm



TARA Wall-mounted basin mixer without pop-up waste - Platinum

36 712 892 Product version from 4/1/2024



Codes & Standards

ADA	ASME A112.18.1	ASME A112.18.1/CSA B125.1	California Energy Commission (CEC)
cUPC	EPA WaterSense	NSF/ANSI 372	NSF/ANSI/CAN 61
NSF372	NSF61	Water Sense	WaterSense

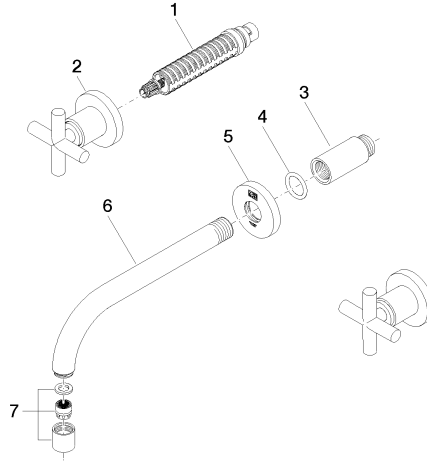


Certificates

IAPMO_N-4976 IAPMO_6397 IAPMO_8834 IAPMO_4976 (

TARA Wall-mounted basin mixer without pop-up waste - Platinum

36 712 892 Product version from 4/1/2024



Spare parts list

No.	Item Number	Name	Quantity used	Delivery time
1	90 90 03 157 00 90	top	2	2
2	36 310 892-08	connection	2	40
3	09 24 03 081 10 90	extension	1	2
4	90 14 10 026 00 90	seal	1	2
5	09 27 22 501-08	rosette	1	40
6	04 28 22 090 10-08	spout	1	40
7	90 23 01 019 02-08	aerator	1	40