



## MEM Wall-mounted three-hole lavatory mixer without drain - Platinum

36 717 782 Product version from 10/27/2020



- 9-1/2" Projection
- Rigid spout
- Rectangular aerated stream
- Valve hole diameter 1-5/8"
- Spout hole diameter 1-5/8"
- Individual flanges 2-3/8" x 2-3/8"
- Water flow rate limited to max. 1.2 gpm
- lead-free
- This product can help a building meet the requirements of Green Building Rating Systems, e.g. LEED®, BREEAM®, DGNB **(ADA)**

(ADA)

|  |                                |                    |
|--|--------------------------------|--------------------|
|  | Platinum                       | 36 717 782-08 0010 |
|  | Chrome                         | 36 717 782-00 0010 |
|  | Brushed Platinum               | 36 717 782-06 0010 |
|  | Dark Chrome                    | 36 717 782-19 0010 |
|  | Brushed Durabronze (23kt Gold) | 36 717 782-28 0010 |
|  | Brushed Champagne (22kt Gold)  | 36 717 782-46 0010 |
|  | Champagne (22kt Gold)          | 36 717 782-47 0010 |
|  | Brushed Dark Platinum          | 36 717 782-99 0010 |

### Required article



- Rough for wall-mounted faucet , spout in center -** 35 700 970-90 0010
- Max. rough in depth "
  - Min. rough in depth "

### Required article



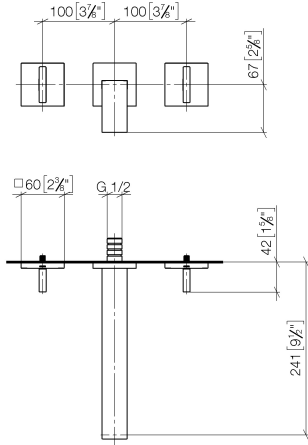
- Rough for wall-mounted faucet flexible positioning -** 35 720 970-90 0010
- Max. rough in depth "
  - Min. rough in depth "



# MEM Wall-mounted three-hole lavatory mixer without drain - Platinum

36 717 782 Product version from 10/27/2020

mm [inches]



## Codes & Standards

|        |                |                           |                                    |
|--------|----------------|---------------------------|------------------------------------|
| ADA    | ASME A112.18.1 | ASME A112.18.1/CSA B125.1 | California Energy Commission (CEC) |
| cUPC   | EPA WaterSense | NSF/ANSI 372              | NSF/ANSI/CAN 61                    |
| NSF372 | Water Sense    | WaterSense                |                                    |

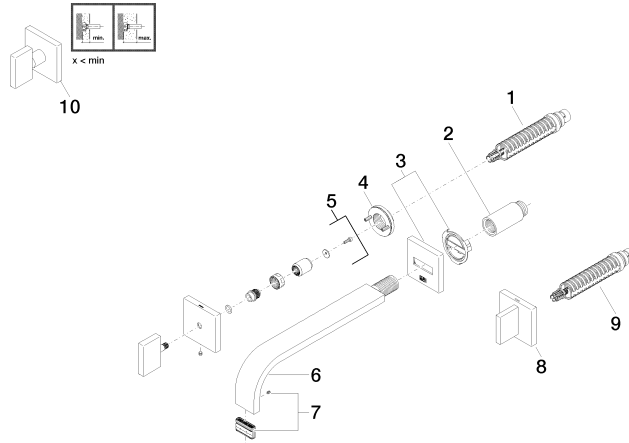


## Certificates

IAPMO\_6397 IAPMO\_8834 IAPMO\_4976 (

**MEM Wall-mounted three-hole lavatory mixer without drain - Platinum**

36 717 782 Product version from 10/27/2020



**Spare parts list**

| Number | Item Number        | Designation     | Number of units | Lead time |
|--------|--------------------|-----------------|-----------------|-----------|
| 1      | 90 90 03 156 00 90 | top             | 1               | 2         |
| 2      | 09 24 03 081 10 90 | extension       | 1               | 2         |
| 3      | 90 27 78 035 00-08 | rosette         | 1               | 40        |
| 4      | 90 21 02 108 00 90 | disc            | 2               | 2         |
| 5      | 90 20 78 002 07-08 | handle ( hot )  | 1               | 40        |
| 6      | 04 28 22 148 10-08 | spout           | 1               | 40        |
| 7      | 90 29 03 118 00 90 | aerator         | 1               | 2         |
| 8      | 90 20 78 002 06-08 | handle ( cold ) | 1               | 40        |
| 9      | 90 90 03 157 00 90 | top             | 1               | 2         |
| 10     | 90 20 78 002 01-08 | handle          | 1               | 40        |