



TARA Wall-mounted three-hole lavatory mixer without drain - Brushed Durabronze (23kt Gold)

36 717 882 Product version from 4/1/2024



- 9-1/2" Projection
- Rigid spout
- Round aerated stream
- Valve hole diameter 1-5/8"
- Spout hole diameter 1-5/8"
- Flange diameter 2-1/8"
- Water flow rate limited to max. 1.2 gpm
- lead-free
- This product can help a building meet the requirements of Green Building Rating Systems, e.g. LEED®, BREEAM®, DGNB **(ADA)**

(ADA)

	Brushed Durabronze (23kt Gold)	36 717 882-28 0010
	Chrome	36 717 882-00 0010
	Brushed Platinum	36 717 882-06 0010
	Platinum	36 717 882-08 0010
	Dark Chrome	36 717 882-19 0010
	Matte Black	36 717 882-33 0010
	Brushed Bronze	36 717 882-42 0010
	Brushed Champagne (22kt Gold)	36 717 882-46 0010
	Champagne (22kt Gold)	36 717 882-47 0010
	Brushed Chrome	36 717 882-93 0010
	Brushed Dark Platinum	36 717 882-99 0010

Required article



- Rough for wall-mounted faucet , spout in center -** 35 700 970-90 0010
- Max. rough in depth "
 - Min. rough in depth "

Required article

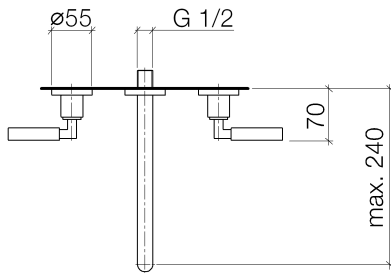
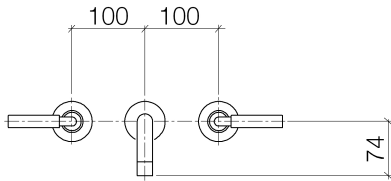


- Rough for wall-mounted faucet flexible positioning -** 35 720 970-90 0010
- Max. rough in depth "
 - Min. rough in depth "



TARA Wall-mounted three-hole lavatory mixer without drain - Brushed Durabronz (23kt Gold)

36 717 882 Product version from 4/1/2024



Codes & Standards

ADA

ASME
A112.18.1/CSA
B125.1

California Energy
Commission
(CEC)

NSF/ANSI 372

NSF/ANSI/CAN
61

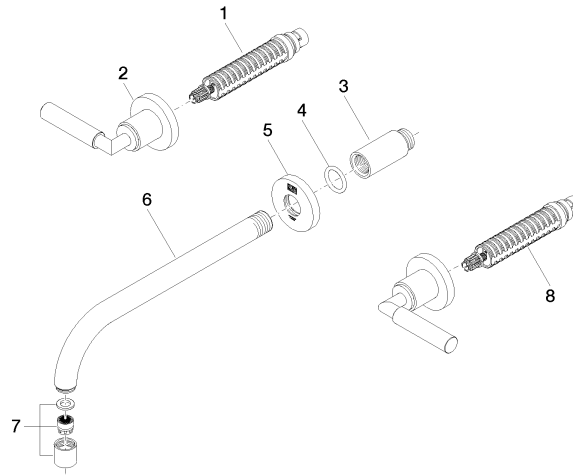
NSF61

Certificates

IAPMO_N-4976

TARA Wall-mounted three-hole lavatory mixer without drain - Brushed Durabronz (23kt Gold)

36 717 882 Product version from 4/1/2024



Spare parts list

Number	Item Number	Designation	Number of units	Lead time
1	90 90 03 156 00 90	top	1	2
2	36 310 882-28	connection	1	20
3	09 24 03 081 10 90	extension	1	2
4	90 14 10 026 00 90	seal	1	2
5	09 27 22 501-28	rosette	1	20
6	04 28 22 105 10-28	spout	1	20
7	90 23 01 019 02-28	aerator	1	20
8	90 90 03 157 00 90	top	1	2