



MEM Wall-mounted single-lever mixer without drain - Dark Chrome

36 861 782



- 8-1/8" Projection
- Rigid spout
- Rectangular aerated stream
- Spout hole diameter 1-1/2"
- Hole diameter single-lever mixer 2-1/4"
- 3-1/8" x 2-3/8" flange for spout
- Flange for mixer 3-1/8" x 3-1/8"
- Water flow rate limited to max. 1.2 gpm
- lead-free
- This product can help a building meet the requirements of Green Building Rating Systems, e.g. LEED®, BREEAM®, DGNB

(ADA)

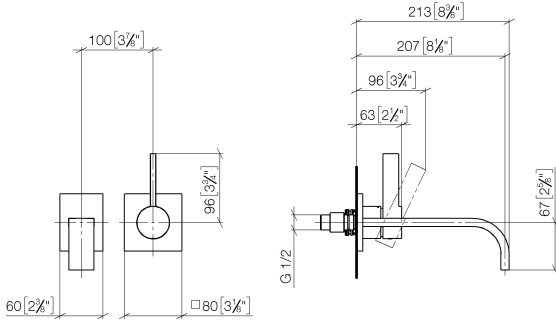
	Dark Chrome	36 861 782-19 0010
	Chrome	36 861 782-00 0010
	Brushed Platinum	36 861 782-06 0010
	Platinum	36 861 782-08 0010
	Brushed Durabronze (23kt Gold)	36 861 782-28 0010
	Brushed Champagne (22kt Gold)	36 861 782-46 0010
	Champagne (22kt Gold)	36 861 782-47 0010
	Brushed Dark Platinum	36 861 782-99 0010



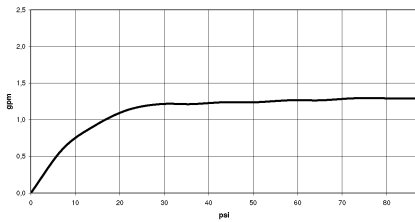
MEM Wall-mounted single-lever mixer without drain - Dark Chrome

36 861 782

mm [inches]



Flow rate chart



Codes & Standards

ADA	ASME A112.18.1	ASME A112.18.1/CSA B125.1	California Energy Commission (CEC)
cUPC	NSF/ANSI 372	NSF/ANSI/CAN 61	NSF372
NSF61			



MEM Wall-mounted single-lever mixer without drain - Dark Chrome

36 861 782

Certificates

IAPMO_N-4976

IAPMO_6397

IAPMO_4976 (

MEM Wall-mounted single-lever mixer without drain - Dark Chrome

36 861 782

Parts for other
finishes can be found
here: [Chrome](#)

