



## MEM Wall-mounted single-lever mixer without drain - Platinum

36 862 782



- 9-3/4" Projection
- Rigid spout
- Rectangular aerated stream
- Spout hole diameter 1-1/2"
- Hole diameter single-lever mixer 2-1/4"
- 3-1/8" x 2-3/8" flange for spout
- Flange for mixer 3-1/8" x 3-1/8"
- Water flow rate limited to max. 1.2 gpm
- lead-free
- This product can help a building meet the requirements of Green Building Rating Systems, e.g. LEED®, BREEAM®, DGNB **(ADA)**

(ADA)

	Platinum	36 862 782-08 0010
	Chrome	36 862 782-00 0010
	Brushed Platinum	36 862 782-06 0010
	Dark Chrome	36 862 782-19 0010
	Brushed Durabronz (23kt Gold)	36 862 782-28 0010
	Brushed Champagne (22kt Gold)	36 862 782-46 0010
	Champagne (22kt Gold)	36 862 782-47 0010
	Brushed Dark Platinum	36 862 782-99 0010

### Required article



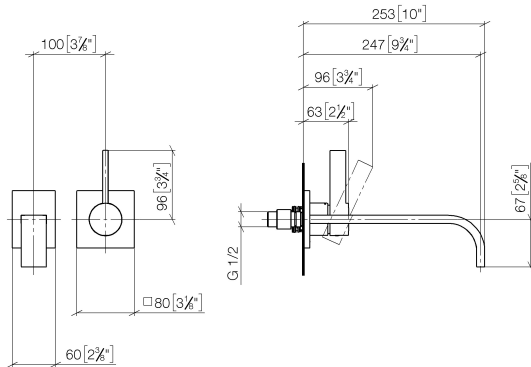
- Rough for wall-mounted faucet -** 35 860 970-90 0010
- Max. rough in depth "
  - Min. rough in depth "
  - Rough can be rotated to position the lever on top or to the left of the spout.



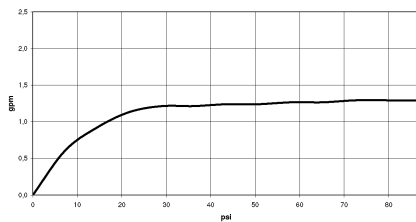
## MEM Wall-mounted single-lever mixer without drain - Platinum

36 862 782

mm [inches]



### Flow rate chart



### Codes & Standards

ADA	ASME A112.18.1	ASME A112.18.1/CSA B125.1	California Energy Commission (CEC)
cUPC	EPA WaterSense	NSF/ANSI 372	NSF/ANSI/CAN 61
NSF372	NSF61	Water Sense	WaterSense





## MEM Wall-mounted single-lever mixer without drain - Platinum

---

36 862 782

### Certificates

---

IAPMO\_N-4976

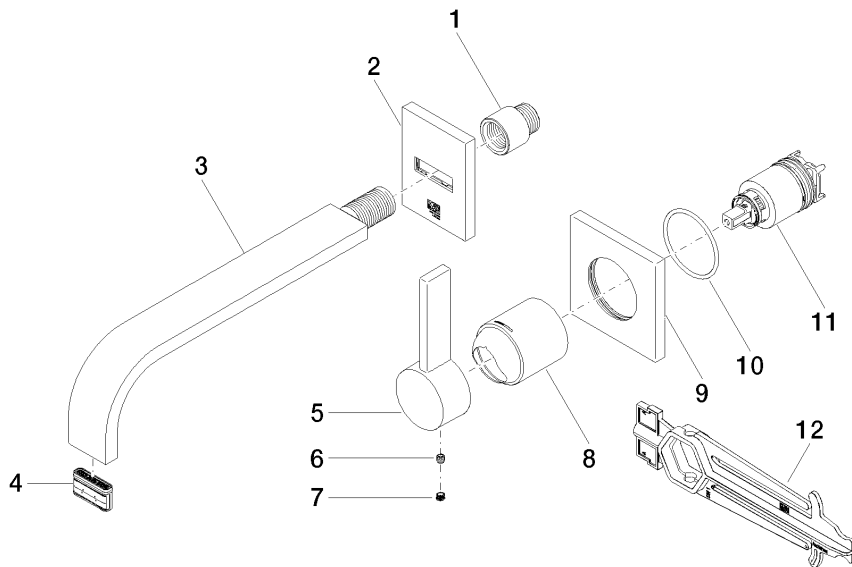
IAPMO\_6397

IAPMO\_8834

IAPMO\_4976 (

**MEM Wall-mounted single-lever mixer without drain - Platinum**

36 862 782



**Spare parts list**

Number	Item Number	Designation	Number of units	Lead time
1	09 24 03 072 10 90	nipple	1	2
2	90 27 78 055 00-08	rosette	1	40
3	04 28 22 148 10-08	spout	1	40
4	90 29 03 118 00 90	aerator	1	2
5	09 20 78 058-08	handle	1	40
6	90 31 11 030 00 90	pin	1	2
7	90 31 20 109 00 90	plug	1	2
8	09 11 02 288-08	cover	1	40
9	09 27 78 039-08	rosette	1	40
10	90 14 10 049 00 90	seal	1	2
11	90 15 05 064 01 90	cartridge	1	2
12	90 30 09 064 00 90	key	1	2