



## MEM Wall-mounted single-lever mixer with cover plate without drain - Dark Chrome

36 864 782



- 8-1/8" Projection
- Rigid spout
- Rectangular aerated stream
- Spout hole diameter 1-1/2"
- Hole diameter single-lever mixer 2-1/4"
- Cover plate 3-1/8" x 7-1/8"
- Water flow rate limited to max. 1.2 gpm
- lead-free
- This product can help a building meet the requirements of Green Building Rating Systems, e.g. LEED®, BREEAM®, DGNB

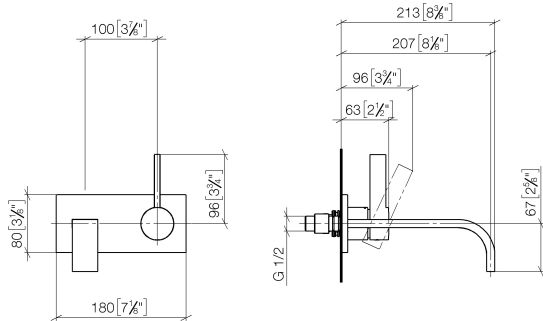
(ADA)

	Dark Chrome	36 864 782-19 0010
	Chrome	36 864 782-00 0010
	Brushed Platinum	36 864 782-06 0010
	Platinum	36 864 782-08 0010
	Brushed Durabronze (23kt Gold)	36 864 782-28 0010
	Brushed Champagne (22kt Gold)	36 864 782-46 0010
	Champagne (22kt Gold)	36 864 782-47 0010
	Brushed Dark Platinum	36 864 782-99 0010

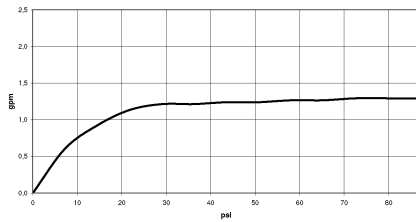


# MEM Wall-mounted single-lever mixer with cover plate without drain - Dark Chrome

36 864 782  
mm [inches]



## Flow rate chart



## Codes & Standards

ADA	ASME A112.18.1	ASME A112.18.1/CSA B125.1	California Energy Commission (CEC)
cUPC	NSF/ANSI 372	NSF/ANSI/CAN 61	NSF372
NSF61			



## MEM Wall-mounted single-lever mixer with cover plate without drain - Dark Chrome

---

36 864 782

Certificates

---

IAPMO\_N-4976

IAPMO\_6397

IAPMO\_4976 (



# MEM Wall-mounted single-lever mixer with cover plate without drain - Dark Chrome

36 864 782  
Parts for other  
finishes can be found  
here: [Chrome](#)

