








MEM Wall-mounted single-lever mixer without drain - Brushed Dark Platinum

36 867 782



- 4-7/8" Projection
- Rigid spout
- Rectangular aerated stream
- Spout hole diameter 1-3/8"
- Hole diameter single-lever mixer 2-1/4"
- 3-1/8" x 2-3/8" flange for spout
- Flange for mixer 3-1/8" x 3-1/8"
- Water flow rate limited to max. 1.2 gpm
- lead-free
- This product can help a building meet the requirements of Green Building Rating Systems, e.g. LEED®, BREEAM®, DGNB
(ADA)

(ADA)

	Brushed Dark Platinum	36 867 782-99 0010
	Chrome	36 867 782-00 0010
	Brushed Platinum	36 867 782-06 0010
	Platinum	36 867 782-08 0010
	Brushed Durabronze (23kt Gold)	36 867 782-28 0010

Required article



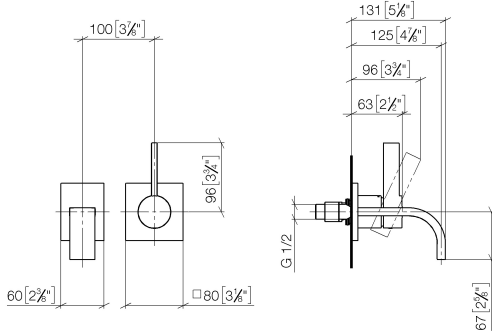
- Rough for wall-mounted faucet -** 35 860 970-90 0010
- Min. rough in depth "
 - Max. rough in depth "
 - Rough can be rotated to position the lever on top or to the left of the spout.



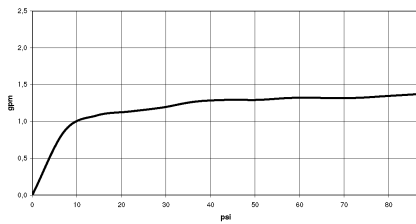
MEM Wall-mounted single-lever mixer without drain - Brushed Dark Platinum

36 867 782

mm [inches]



Flow rate chart



Codes & Standards

ASME A112.18.1 California Energy Commission (CEC) cUPC EPA WaterSense

NSF372

NSF61

WaterSense





MEM Wall-mounted single-lever mixer without drain - Brushed Dark Platinum

36 867 782

Certificates

IAPMO_6397

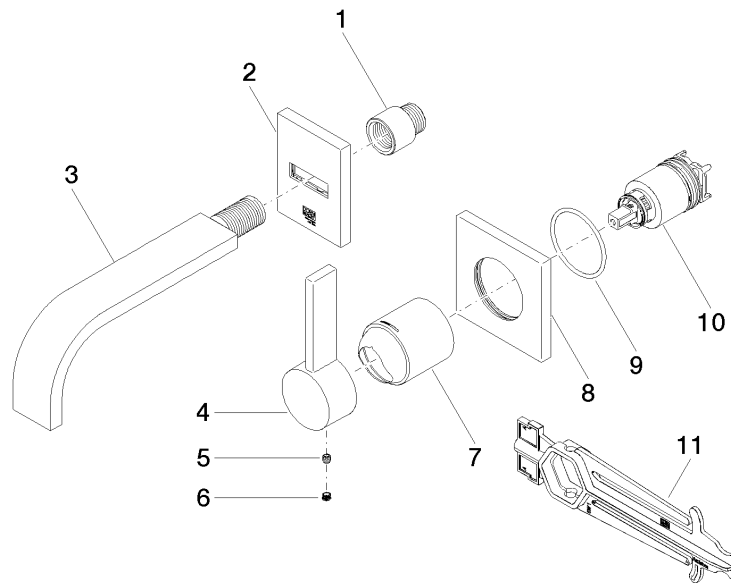
IAPMO_N-4976

IAPMO_8834

IAPMO_4976 (

MEM Wall-mounted single-lever mixer without drain - Brushed Dark Platinum

36 867 782



Spare parts list

Number	Item Number	Designation	Number of units	Lead time
1	09 24 03 072 10 90	nipple	1	2
2	90 27 78 055 00-99	rosette	1	20
3	90 28 22 357 01-99	spout	1	20
4	09 20 78 058-99	handle	1	20
5	90 31 11 030 00 90	pin	1	2
6	90 31 20 109 00 90	plug	1	2
7	09 11 02 288-99	cover	1	20
8	09 27 78 039-99	rosette	1	20
9	90 14 10 049 00 90	seal	1	2
10	90 15 05 064 01 90	cartridge	1	2
11	90 30 09 064 00 90	key	1	2