

AXOR Uno

Axor Uno Pressure Balance Trim

Surfaces: **Chrome** Article Number: **38418001**



Description

product features

- flow rate at 3 bar: 20.6 l/min
- pressure control and volume control in one unit
- bypass for use with diverter-type tub spouts
- temperature limitation adjustable
- temperature and volume control for 1 outlet
- suitable for continuous flow water heaters

Product image

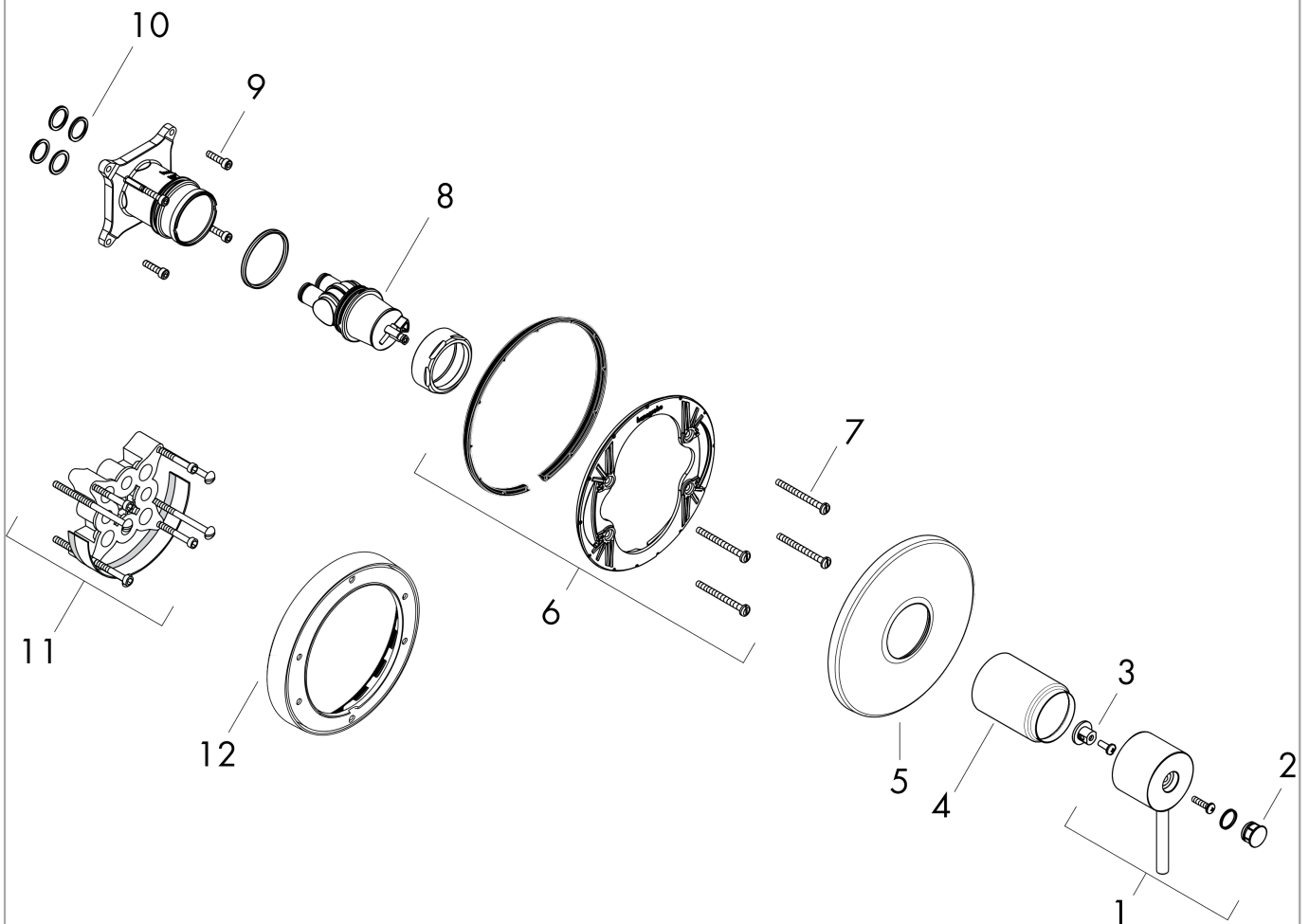


AXOR Uno
Axor Uno Pressure Balance Trim
Surfaces: **Chrome** Article Number: **38418001**



Exploded Drawing

Year of production: >06/09



AXOR Uno
Axor Uno Pressure Balance Trim
 Surfaces: **Chrome** Article Number: **38418001**



Spare part list

Year of production: >06/09

Pos.	Description	Article Number	PC	PU
1	-	88784000	0	1
2	screw cover	96540001	0	1
3	adapter for handle	92756000	0	1
4	escutcheon	88760000	0	1
5	sleeve	88765000	0	1
6	sub plate	96447000	0	1
7	cartridge, assy	88727000	0	1
8	set of screws	96525000	0	1
9	O-ring 16x2	98133000	0	1
10	extension 25 mm	13595000	0	1
11	extension 22 mm (Ø 170 mm)	13596000	0	1
a	base body	01850181	0	1