

AXOR Citterio
Wall-Mounted Single-Handle Faucet Trim with Base Plate- Rhombic Cut, 1.2 GPM
 Finishes : Part no. : **39171001**



Features

- Consists of: Wall-Mounted Single-Handle Faucet Trim
- Spray modes: Aerated spray
- Flow: 1.2 GPM (4.5 L/Min)
- Ceramic cartridge
- Does not include: basic set, Pop-up assembly

Item details

List Price

Technology



Design awards



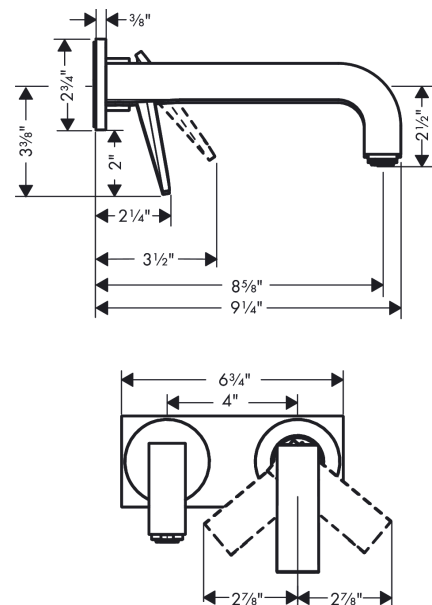
Compliance



Product image



Scale drawing

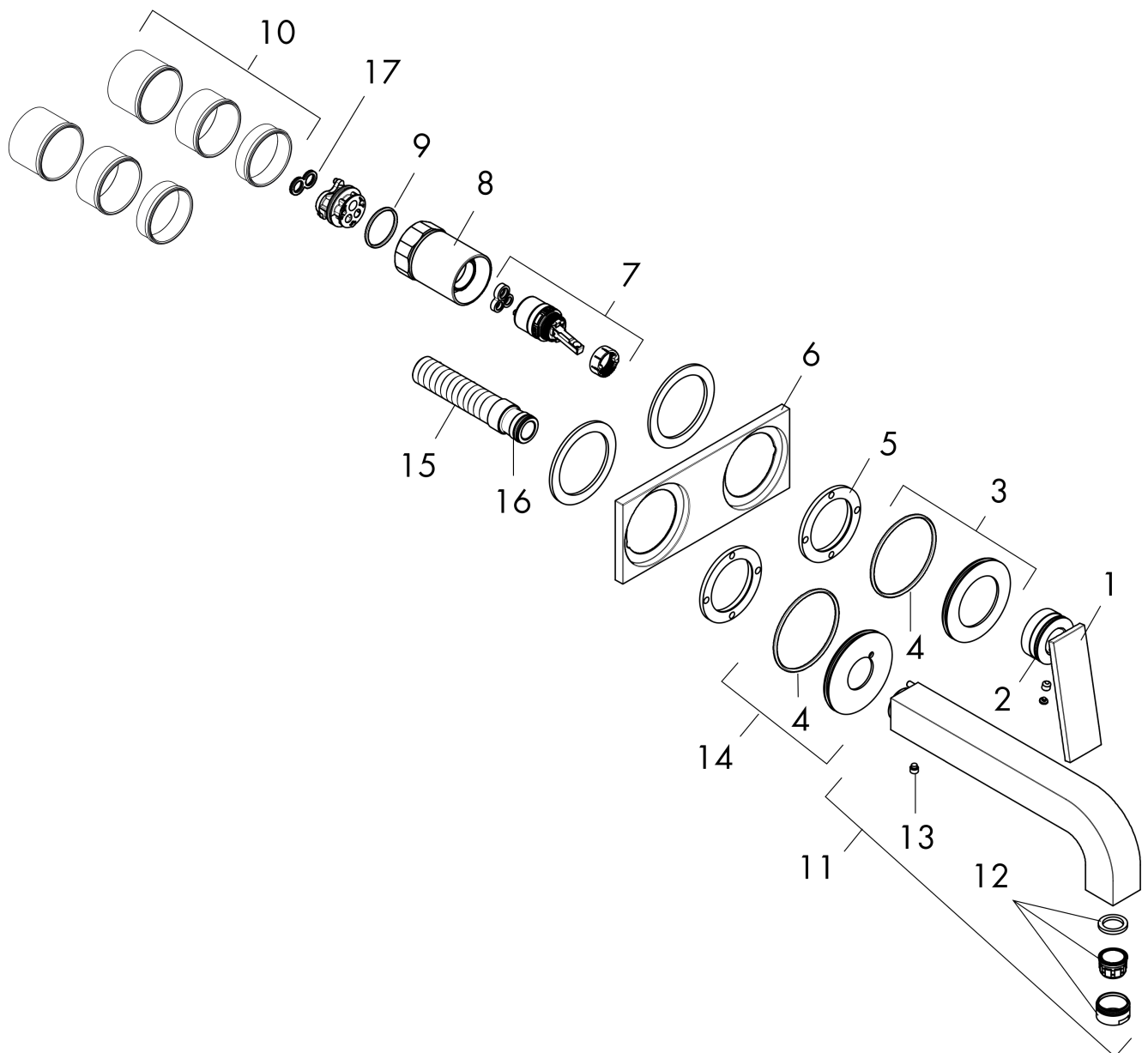


AXOR Citterio
Wall-Mounted Single-Handle Faucet Trim with Base Plate- Rhombic Cut, 1.2 GPM
Finishes : Part no. : **39171001**



Exploded drawing

Year of production: >08/21



AXOR Citterio
Wall-Mounted Single-Handle Faucet Trim with Base Plate- Rhombic Cut, 1.2 GPM
 Finishes : Part no. : **39171001**



Spare parts list

Year of production: >08/21

Pos.		Part no.	Price	PU
1	handle	94321000	-	1
2	O-ring 33x1,5	98164000	-	1
3	escutcheon for handle	96912000	-	1
4	O-ring 57x2,5	98394000	-	1
5	nut	97601000	-	1
6	escutcheon	96914000	-	1
7	cartridge, assy	92900000	-	1
8	sleeve	93373000	-	1
9	O-ring 26x2	98147000	-	1
10	fixing set	97971000	-	1
11	spout 220 mm	97239000	-	1
12	aerator M24x1 (4,5 l/min)	92877000	-	1
13	hollow set screw M6x6	97660000	-	1
14	escutcheon for spout	97695000	-	1
15	connecting thread G½	97228000	-	1
16	O-ring 16x2,5	98134000	-	1
17	seal	93383000	-	1
a	extension 25 mm	13586000	-	1