

**AXOR Citterio**  
**Wall-Mounted Single-Handle Faucet Trim- Rhombic Cut, 1.2 GPM**  
 Finishes : Part no. : **39181001**



### Features

- Spray modes: Aerated spray
- Flow: 1.2 GPM (4.5 L/Min)
- Ceramic cartridge
- Does not include: Pop-up assembly, basic set

### Item details

List Price

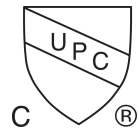
### Technology



### Design awards



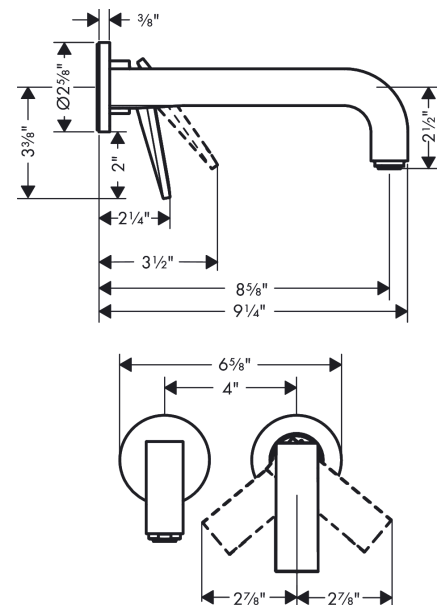
### Compliance



### Product image



### Scale drawing

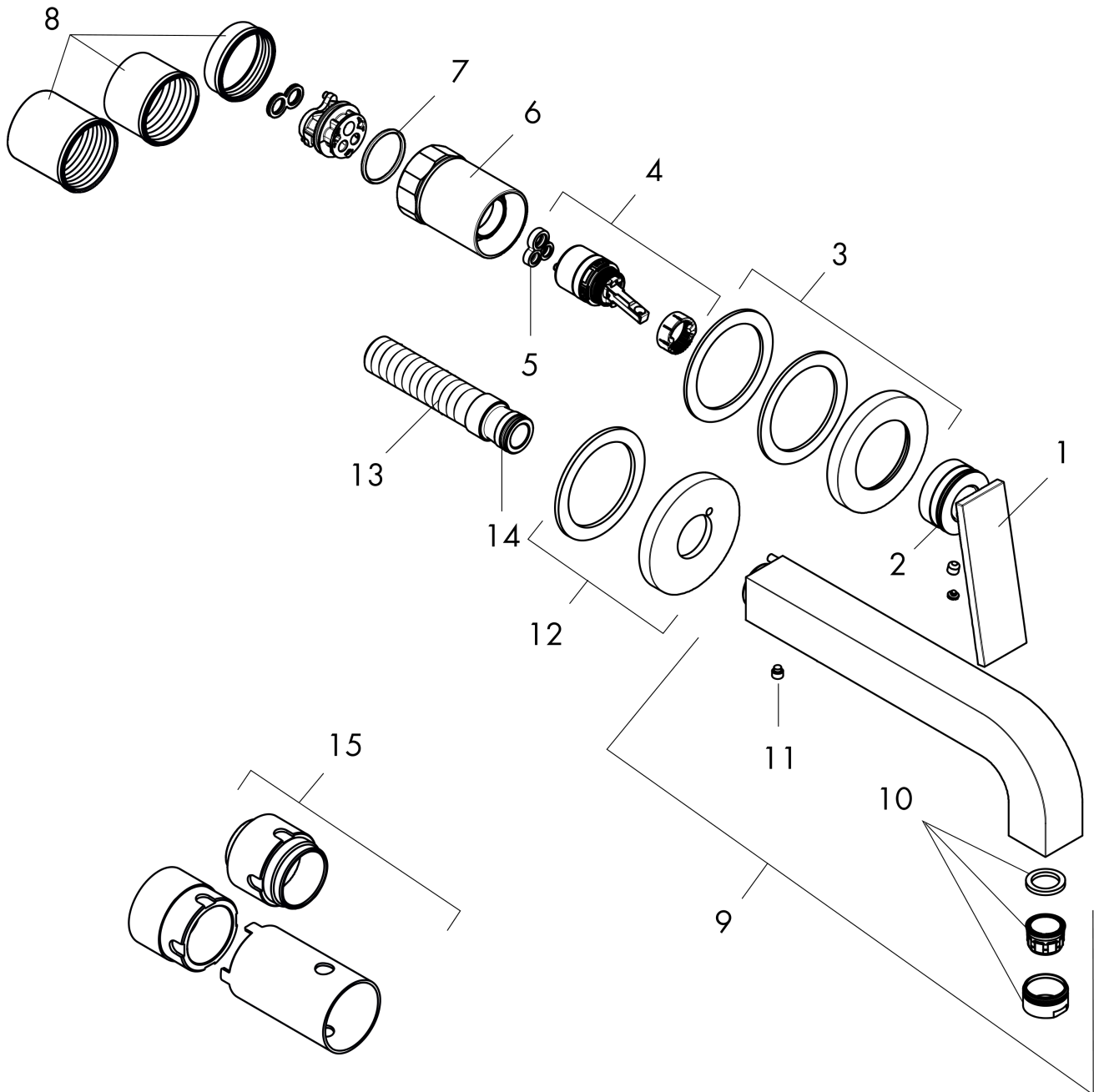


**AXOR Citterio**  
**Wall-Mounted Single-Handle Faucet Trim- Rhombic Cut, 1.2 GPM**  
Finishes : Part no. : **39181001**



## Exploded drawing

Year of production: >08/21



**AXOR Citterio**  
**Wall-Mounted Single-Handle Faucet Trim- Rhombic Cut, 1.2 GPM**  
 Finishes : Part no. : **39181001**



## Spare parts list

Year of production: >08/21

Pos.		Part no.	Price	PU
1	handle	94321000	-	1
2	O-ring 33x1,5	98164000	-	1
3	escutcheon for handle	96909000	-	1
4	cartridge, assy	92900000	-	1
5	seal	93383000	-	1
6	sleeve	93373000	-	1
7	O-ring 26x2	98147000	-	1
8	fixing set	97971000	-	1
9	spout 220 mm	97239000	-	1
10	aerator M24x1 (4,5 l/min)	92877000	-	1
11	hollow set screw M6x6	97660000	-	1
12	escutcheon	98720000	-	1
13	connecting thread G½	97228000	-	1
14	O-ring 16x2,5	98134000	-	1
15	extension 25 mm	13586000	-	1