

AXOR Citterio
Axor Citterio Pressure Balance Trim
Surfaces: **Brushed Nickel** Article Number: **39414821**



Description

product features

- flow rate at 3 bar: 20.6 l/min
- pressure control and volume control in one unit
- bypass for use with diverter-type tub spouts
- temperature limitation adjustable
- temperature and volume control for 1 outlet
- suitable for continuous flow water heaters

Product image

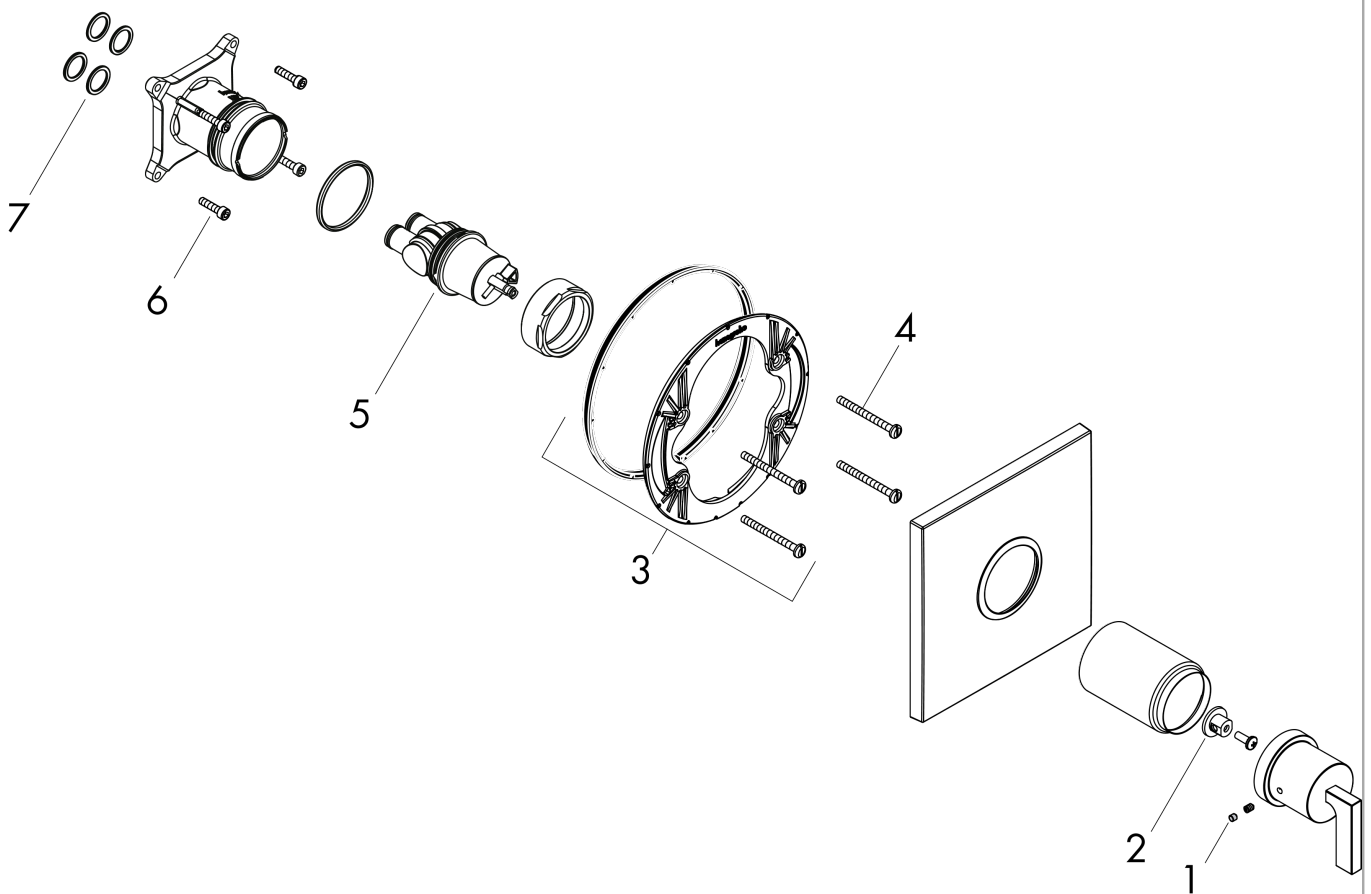


AXOR Citterio
Axor Citterio Pressure Balance Trim
Surfaces: **Brushed Nickel** Article Number: **39414821**



Exploded Drawing

Year of production: >06/09



AXOR Citterio
Axor Citterio Pressure Balance Trim
 Surfaces: **Brushed Nickel** Article Number: **39414821**



Spare part list

Year of production: >06/09

Pos.	Description	Article Number	PC	PU
1	screw cover	95181000	0	1
2	adapter for handle	92756000	0	1
3	holder for escutcheon	98793000	0	1
4	set of fixing screws	96454000	0	1
5	cartridge, assy	88727000	0	1
6	set of screws	96525000	0	1
7	O-ring 16x2	98133000	0	1
a	-	88782820	0	1
b	sleeve	88765820	0	1
c	escutcheon	88779820	0	1