

AXOR Citterio
Freestanding Tub Filler Trim with 1.75 GPM Handshower- Rhombic Cut
 Finishes : Part no. : **39471001**



Features

- Consists of: Freestanding tub filler trim, Baton handshower, Handshower hose, Handshower holder
- Spray type mixer: Aerated spray
- Spray type hand shower: Rain, Mono
- Ceramic cartridge
- Diverter with automatic resetting
- Protected against backflow, according to DIN EN 1717

Item details

List Price

Technology



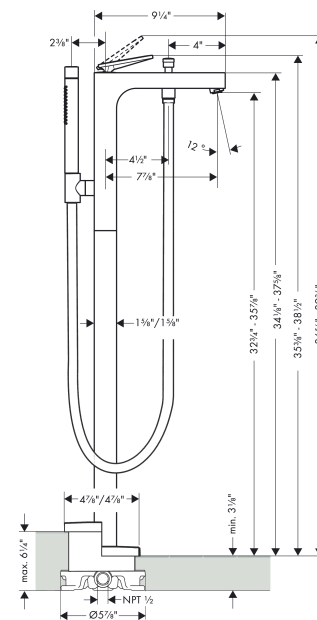
Compliance



Product image



Scale drawing

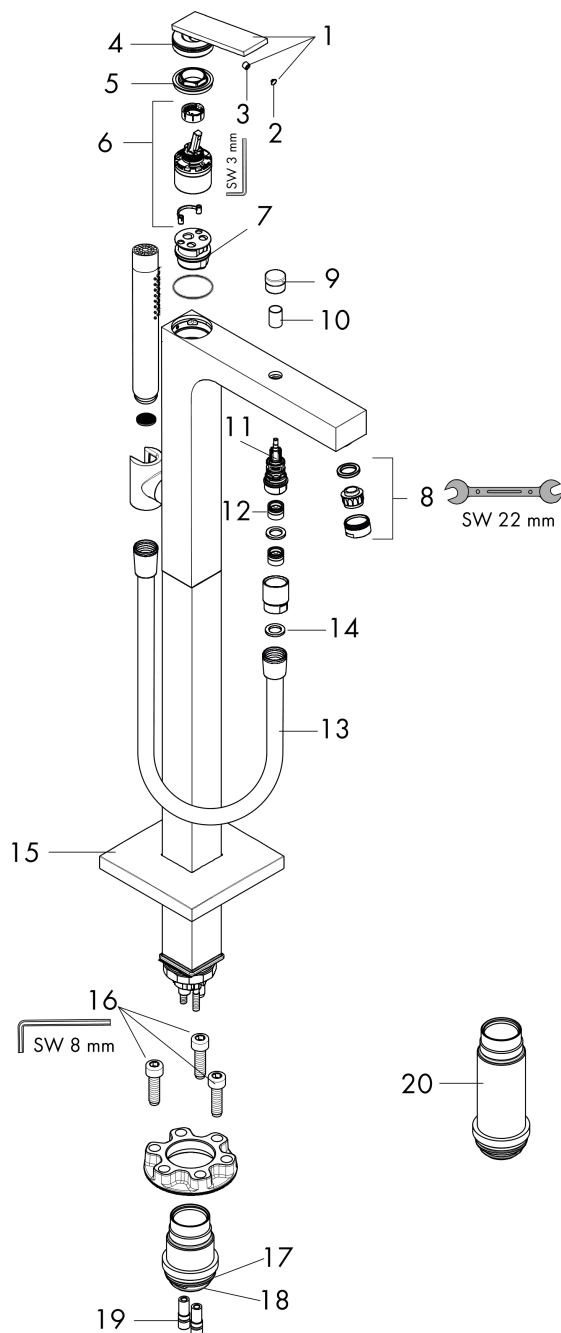


AXOR Citterio
Freestanding Tub Filler Trim with 1.75 GPM Handshower- Rhombic Cut
 Finishes : Part no. : **39471001**



Exploded drawing

Year of production: >08/21



AXOR Citterio
Freestanding Tub Filler Trim with 1.75 GPM Handshower- Rhombic Cut
 Finishes : Part no. : **39471001**



Spare parts list

Year of production: >08/21

Pos.		Part no.	Price	PU
1	handle	94410000	-	1
2	screw cover	93983000	-	1
3	hollow set screw M6x6	98445000	-	1
4	O-ring 35x1,5	92114000	-	1
5	nut	93363000	-	1
6	cartridge, assy	93185000	-	1
7	O-Ring 30x2	98186000	-	1
8	aerator M24x1 (38 l/min)	95871000	-	1
9	diverter knob	96466000	-	1
10	sleeve	97979000	-	1
11	selector	97978000	-	1
12	non return valve	97980000	-	1
13	shower hose Isiflex'B 1,25 m	28272000	-	1
14	seal	98058000	-	1
15	escutcheon	93981000	-	1
16	hexagon socket screw M10x35	97670000	-	1
17	O-ring 44x2,5	98162000	-	1
18	O-ring 29x3	98371000	-	1
19	O-ring 7x2	98419000	-	1
20	extension set 60 mm	93882000	-	1
a	handshower	04486000	-	1
b	filter packing	94246000	-	1