

AXOR Citterio
Thermostatic Trim with Volume Control and Diverter- Cross Handle
 Finish: **Brushed Nickel** Part no. : **39725821**



Features

- Volume control and diverter for 2 functions
- Volume control/ diverter, thermostat cartridge
- Maximum flow rate at 45 psi: 5.9 GPM
- Maximum flow rate at 60 psi: 7.7 GPM
- Safety stop at 100°F

Item details

List Price \$ 2,116.00

Technology



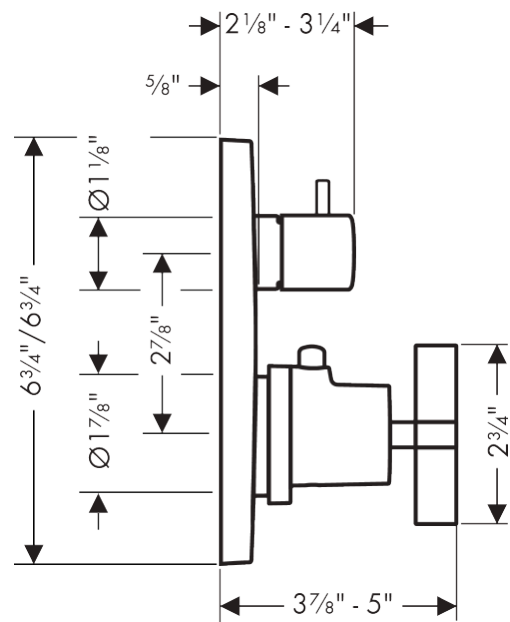
Compliance / Sustainability



Product image



Scale drawing

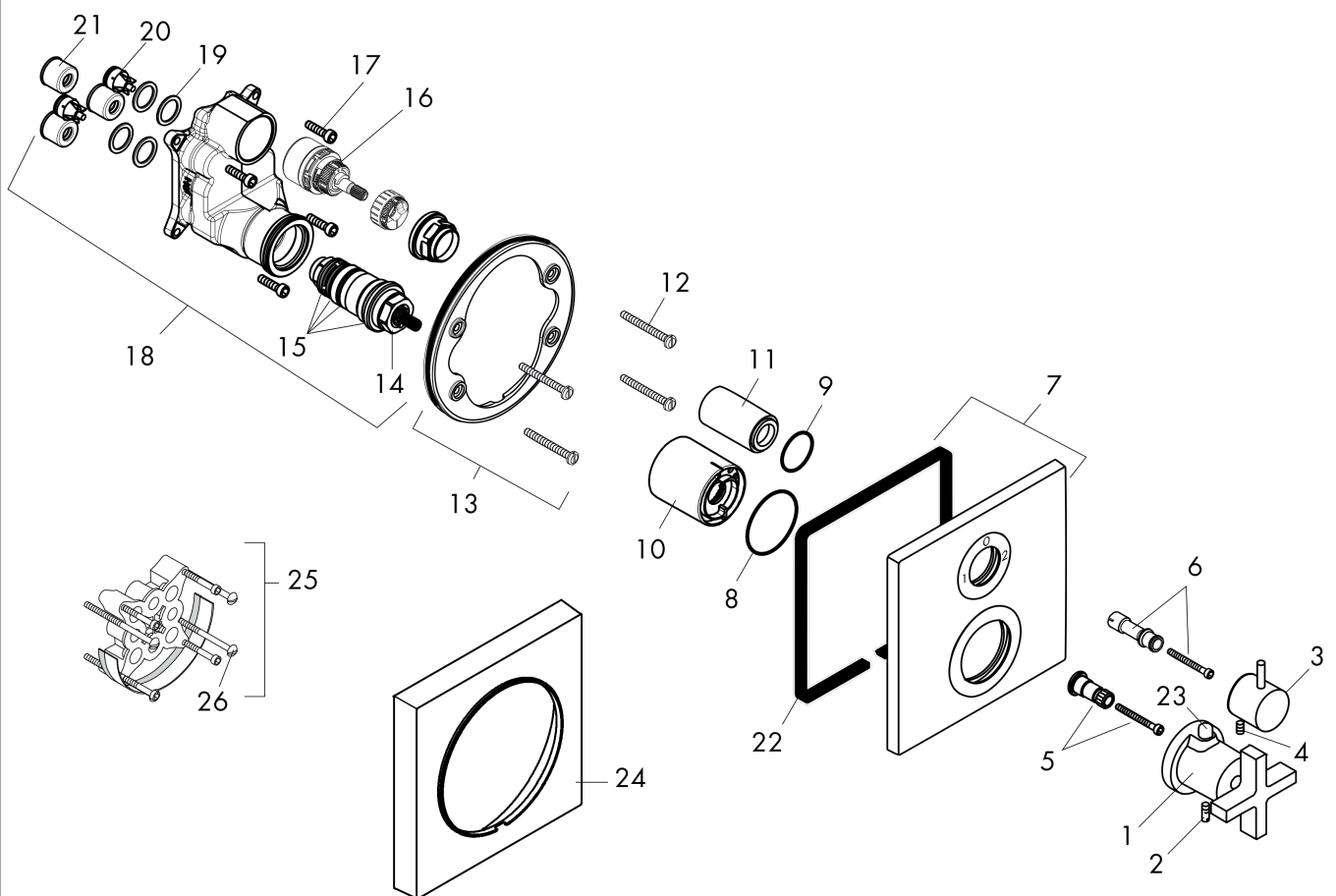


AXOR Citterio
Thermostatic Trim with Volume Control and Diverter- Cross Handle
 Finish: **Brushed Nickel** Part no. : **39725821**



Exploded drawing

Year of production: >07/24



AXOR Citterio
Thermostatic Trim with Volume Control and Diverter- Cross Handle
 Finish: **Brushed Nickel** Part no. : **39725821**



Spare parts list

Year of production: >07/24

Pos.		Part no.	Price	PU
1	handle for thermostat	39391821	-	1
2	hollow set screw M5x10	97672000	-	1
3	handle	96520820	-	1
4	hollow set screw M4x8	97669000	-	1
5	adapter for handle	96435000	-	1
6	adapter for handle	96451000	-	1
7	escutcheon	97926820	-	1
8	O-Ring 48x3	95508000	-	1
9	O-ring 29x3	98371000	-	1
10	sleeve	96439820	-	1
11	sleeve	95253820	-	1
12	set of fixing screws	96454000	-	1
13	holder for escutcheon	98793000	-	1
14	thermostat cartridge	94282000	-	1
15	sealing set	95037000	-	1
16	shut off unit with selector	98283000	-	1
17	set of screws	96525000	-	1
18	installation unit cpl.	92592000	-	1
19	O-ring 16x2	98133000	-	1
20	set of non return valves DW 15	97350000	-	1
21	noise reduction	94073000	-	1
22	seal	95885000	-	1
23	pushbutton red	97212000	-	1
24	extension 22 mm	97407000	-	1
25	extension 25 mm	13595000	-	1
26	set of fixing screws	97747000	-	1
a	base body	01850181	-	1