

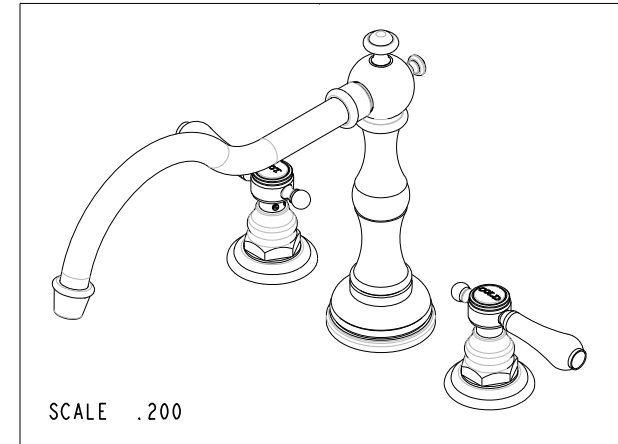
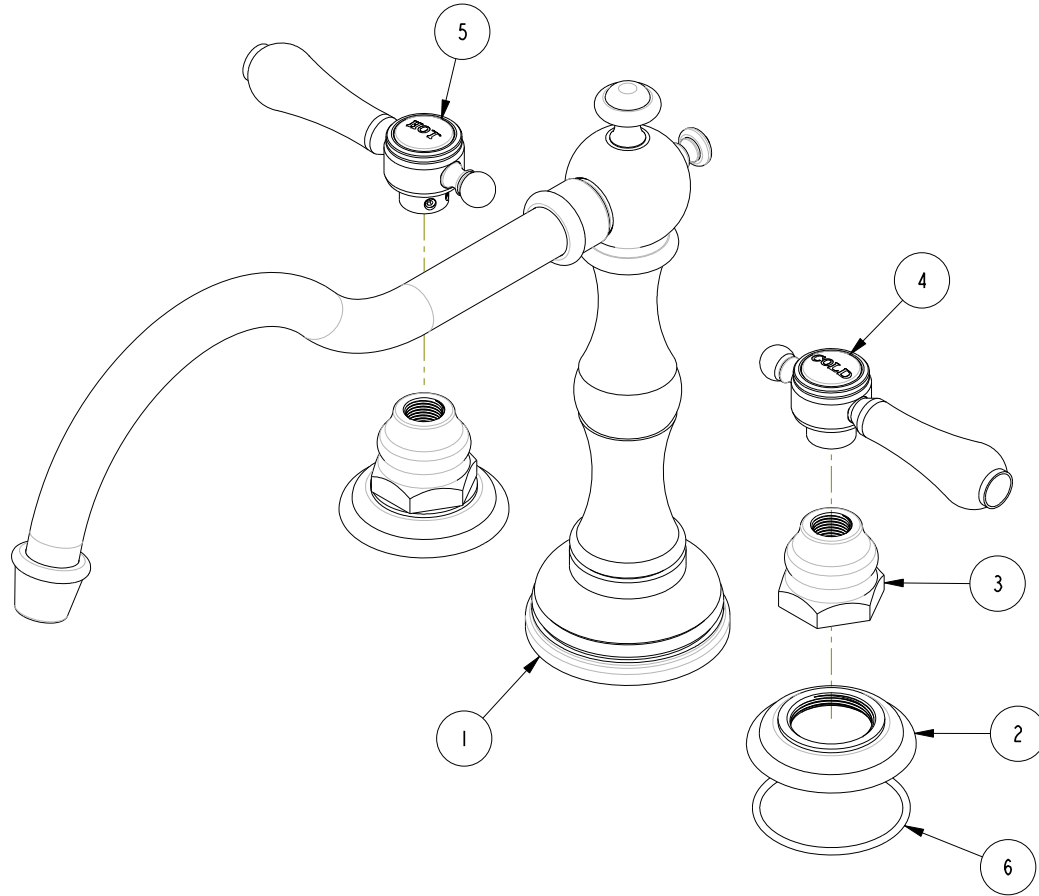
NOTES:

(N1) I. FIT / FORM / FUNCTION SHALL FOLLOW PS-E.008.

BILL OF MATERIAL (CURRENT LEVEL)

ITEM	PT/ASSY	DESCRIPTION	TYPE	QTY.
1	2-210	930 ROMAN TUB SPOUT	ASSEMBLY	1
2	12171	ESCUICHEON, ROMAN TUB	PART	2
3	10523	HEX ESCUCHEON BONNET	PART	2
4	2-133	HANDLE ASSEMBLY - COLD	ASSEMBLY	1
5	2-134	HANDLE ASSEMBLY - HOT	ASSEMBLY	1
6	<del>91231</del>	O-RING, #2-136, EPDM, 65-75 DURO	PART	2

91753



REV C EN-3722 02/08/2019 CG

ZONE	REV	DESCRIPTION	DATE	APPROVED
-	B	EN-2519b	12/07/15	AN
-	A	EN-2032	01/07/14	-

COPYRIGHT 2005 BRASSTECH, INC. THESE DRAWINGS AND THE DESIGNS DEPICTED HEREIN ARE THE PROPRIETARY PROPERTY OF BRASSTECH. ANY USE OR REPRODUCTION IS SUBJECT TO THE EXPRESS APPROVAL OF BRASSTECH. UNAUTHORIZED USE IS STRICTLY PROHIBITED. ALL RIGHTS RESERVED.

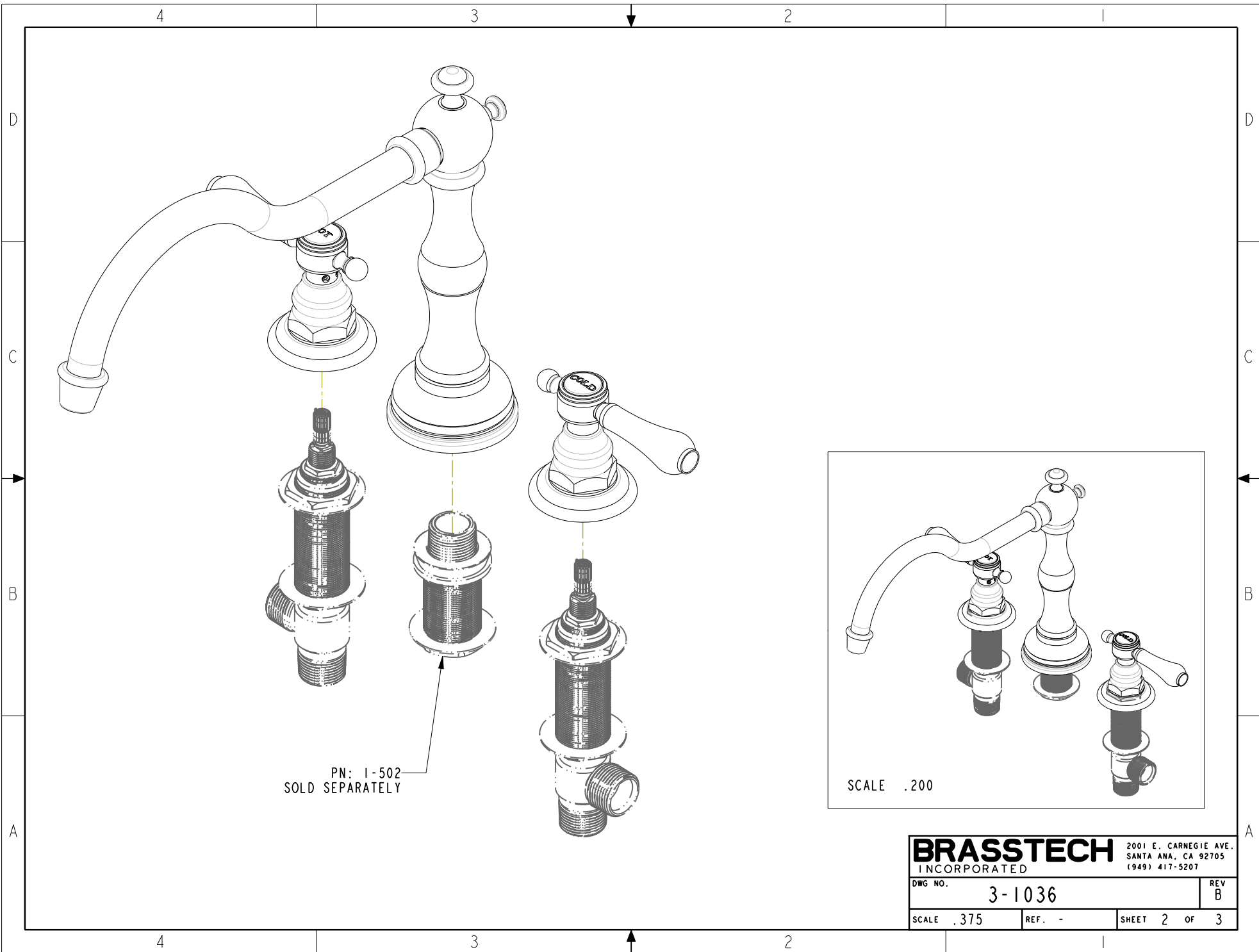
TESTING	ASSEMBLY	PLATING	POLISHING	MACHINING	TOOLING FIXTURE #	APPLICATION
-	-	-	-	-	-	REMOVE ALL BURRS AND SHARP EDGES
-	-	-	-	-	-	NEXT ASSY USED ON

UNITS ARE: INCHES [MM]		
TOLERANCES ARE:		
FRACTIONS	DECIMALS	ANGLES
±1/16"	.X ±.1 (2.5)	±1°
	.XX ±.06 (1.5)	
(X.XXX) DENOTES CRITICAL DIMS.		
ALL THREADS ARE CRITICAL		
DRAWN	AN	12/07/15
CHECKED	AN	12/07/15
APPROVED	AN	12/07/15

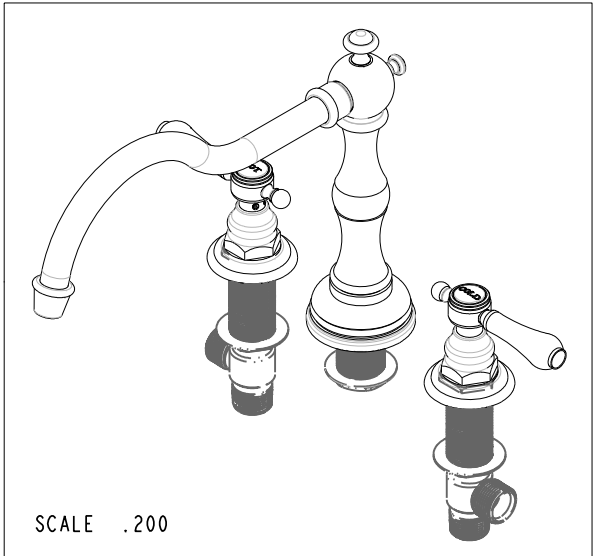
**BRASSTECH** 2001 CARNEGIE AVE.  
INCORPORATED SANTA ANA, CA 92705  
(949) 417-5207

TRIM KIT-R/T SET

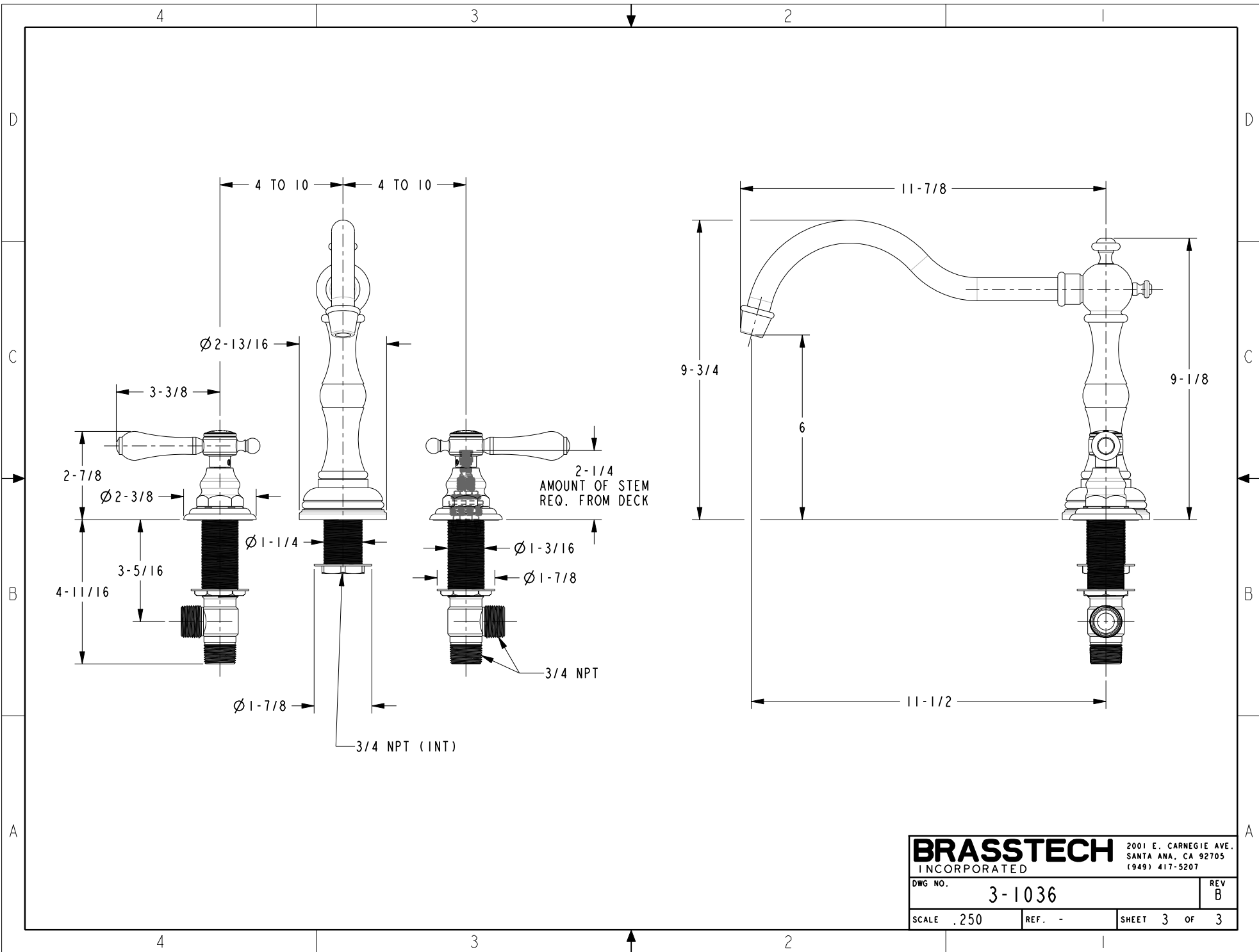
DWG NO.	3-1036	REV	C
SCALE	.375	REF.	-
SHEET	1	OF	5



PN: 1-502  
SOLD SEPARATELY



<b>BRASSTECH</b>		2001 E. CARNEGIE AVE. SANTA ANA, CA 92705 (949) 417-5207	
DWG NO.	3-1036	REV	B
SCALE	.375	REF.	-
		SHEET	2 OF 3



<b>BRASSTECH</b>		2001 E. CARNEGIE AVE. SANTA ANA, CA 92705 (949) 417-5207	
DWG NO.	3-1036	REV	B
SCALE	.250	REF.	-
SHEET 3		OF 3	