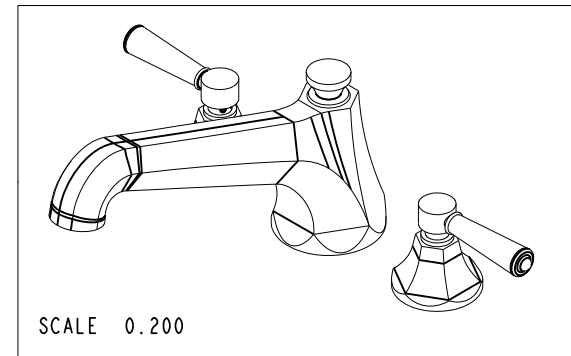
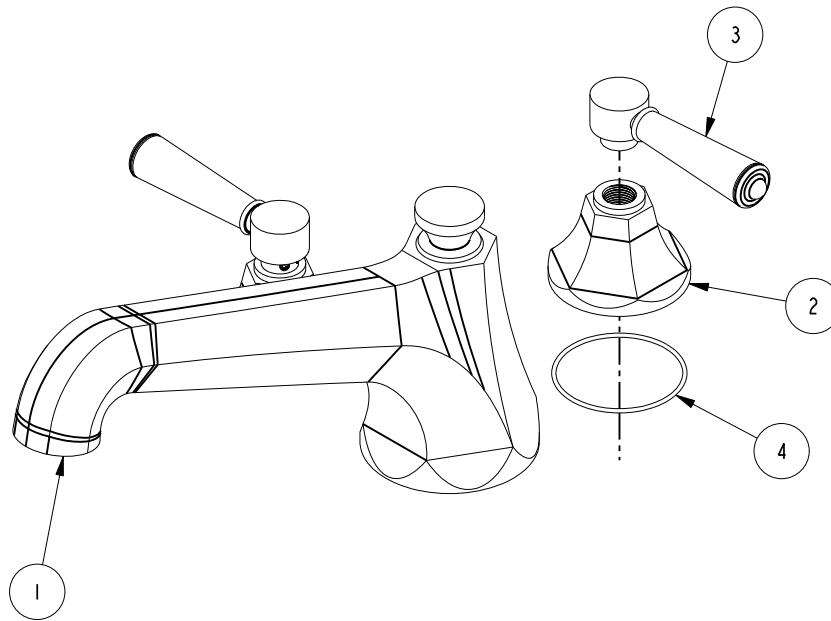


Ⓝ I. FIT / FORM / FUNCTION SHALL FOLLOW PS-E.008.

BILL OF MATERIAL (CURRENT LEVEL)

ITEM	PT/ASSY	DESCRIPTION	TYPE	QTY.
1	2-162	R/T SPOUT ASM	ASSEMBLY	1
2	10960	HEX ESCUTCHEON	PART	2
3	2-279	TAPERED LEVER HNDL ASM	ASSEMBLY	2
4	91386	O-RING, #2-034, EPDM, 65-75 DURO	PART	2

91754



REV D EN-3722 02/08/2019 CG

COPYRIGHT 2005 BRASSTECH, INC. THESE DRAWINGS AND THE DESIGNS DEPICTED HEREIN ARE THE PROPRIETARY PROPERTY OF BRASSTECH. ANY USE OR REPRODUCTION IS SUBJECT TO THE EXPRESS APPROVAL OF BRASSTECH. UNAUTHORIZED USE IS STRICTLY PROHIBITED. ALL RIGHTS RESERVED.

BRASSTECH
INCORPORATED
2001 CARNEGIE AVE.
SANTA ANA, CA 92705
(949) 417-5207

TRIM KIT - ROMAN TUB SET 1206

ASSY. NO. 3-1206

SCALE 0.312

REF. -

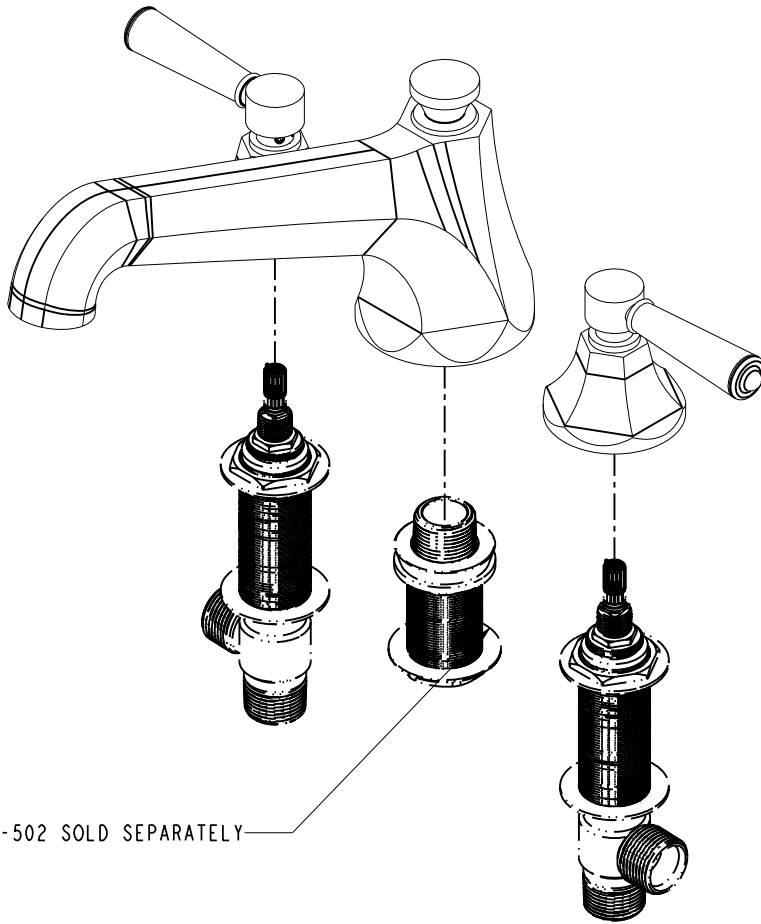
SHEET 1 OF 3

C	EN-3547	02/09/18
B	EN-2266	04/09/13
A	EN-1167	12/19/08
REV	REV DESC	DATE

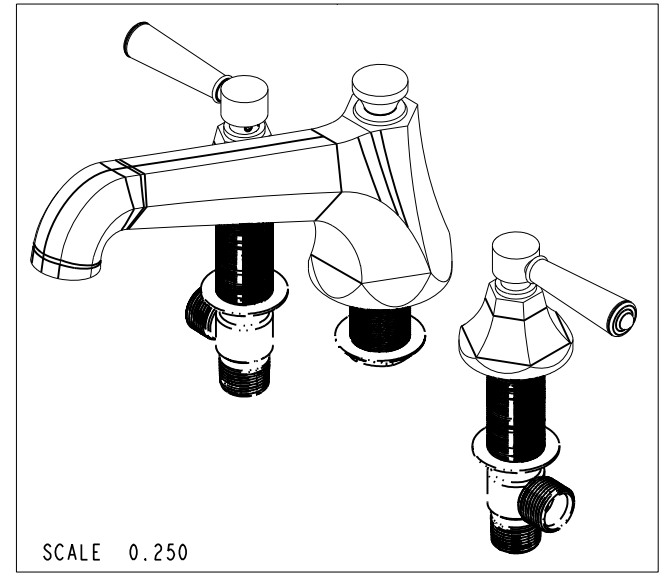
4 3 2 1

↓

SPECIFICATION DWG



PN: 1-502 SOLD SEPARATELY



DIMENSIONS ARE IN INCHES AND AN APPROXIMATION OF A TYPICAL INSTALLATION

COPYRIGHT 2005 BRASSTECH, INC. THESE DRAWINGS AND THE DESIGNS DEPICTED HEREIN ARE THE PROPRIETARY PROPERTY OF BRASSTECH. ANY USE OR REPRODUCTION IS SUBJECT TO THE EXPRESS APPROVAL OF BRASSTECH. UNAUTHORIZED USE IS STRICTLY PROHIBITED. ALL RIGHTS RESERVED.

BRASSTECH		2001 CARNEGIE AVE. SANTA ANA, CA 92705 (949) 417-5207	
INCORPORATED			
DWG NO.	3-1206	REV C	
SCALE 0.312	REF. -	SHEET 2 OF 3	

4

3

2

1

D

C

B

A

D

C

B

A

