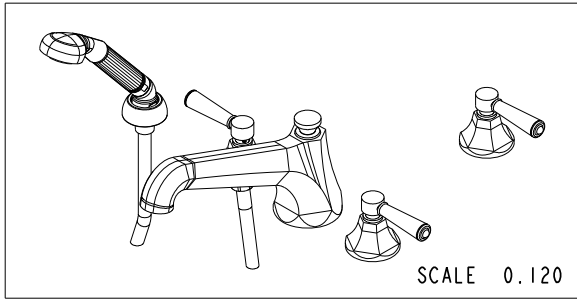
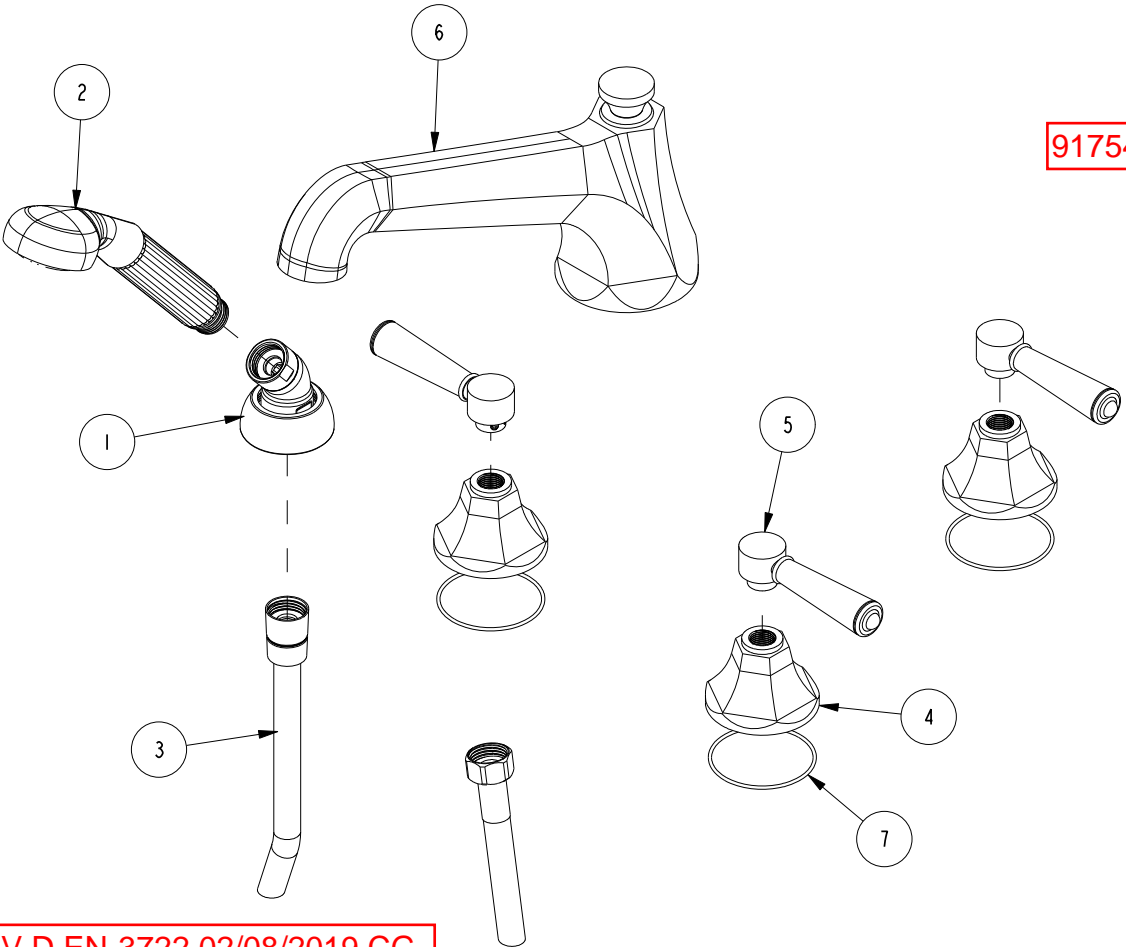


**BILL OF MATERIAL (CURRENT LEVEL)**

ITEM	PT/ASSY	DESCRIPTION	TYPE	QTY.
1	6-289	DECK FLANGE TRIM	ASSEMBLY	1
2	280	HAND SHOWER WITH GROOVE	ASSEMBLY	1
3	284	59 IN. SPIRAL SHOWER HOSE	ASSEMBLY	1
4	10960	HEX ESCUTCHEON	PART	3
5	2-279	TAPERED LEVER HNDL ASM	ASSEMBLY	3
6	2-162	R/T SPOUT ASM	ASSEMBLY	1
<del>7</del>	<del>91386</del>	<del>O-RING, #2-034, EPDM, 65-75 DURO</del>	<del>PART</del>	<del>3</del>

91754



REV D EN-3722 02/08/2019 CG

**BRASSTECH**  
INCORPORATED  
2001 CARNEGIE AVE.  
SANTA ANA, CA 92705  
(949) 417-5207

TRIM KIT - ROMAN TUB 1207

ASSY. NO. 3-1207

SCALE 0.250 REF. - SHEET 1 OF 1 REV REV DESC DATE

C	EN-2266	04/09/13
B	EN-1167	12/19/08
A	EO-0903	10/29/07
REV	REV DESC	DATE