

Roman Tub Deck Trim

3-2546

Features

- Solid brass construction
- ADA compliant contemporary lever handles
- 2-3/16" (5.6 cm) spout height at outlet
- 8-3/8" (21.3 cm) spout reach (c-c)
- Intended for use with Newport Brass rough valve kit (Required Accessory) which incorporates the following:
 - Brass valve bodies and quick-connect spout fitting
 - Quarter-turn washerless ceramic disc 3/4" valve cartridges



Codes / Standards Compliance

Meets or exceeds the following at date of manufacture:

- ASME A112.18.1/CSA B125.1
- IAPMO/cUPC
- IPC
- ADA
- ICC/ANSI A117.1
- All applicable US Federal and State material regulations

Colors / Finishes

- 10B: Oil Rubbed Bronze
- 15: Polished Nickel
- 15S: Satin Nickel - PVD
- 26: Polished Chrome
- Other: Refer to the Newport Brass catalog for additional color/finish options.



Specified Model

Model	Description	Colors Finishes
3-2546	Roman Tub Deck Trim	<input type="checkbox"/> 10B <input type="checkbox"/> 15 <input type="checkbox"/> 15S <input type="checkbox"/> 26 <input type="checkbox"/> Other

Required Accessory: Trim, above, and Rough Valve Kit, below, must both be specified

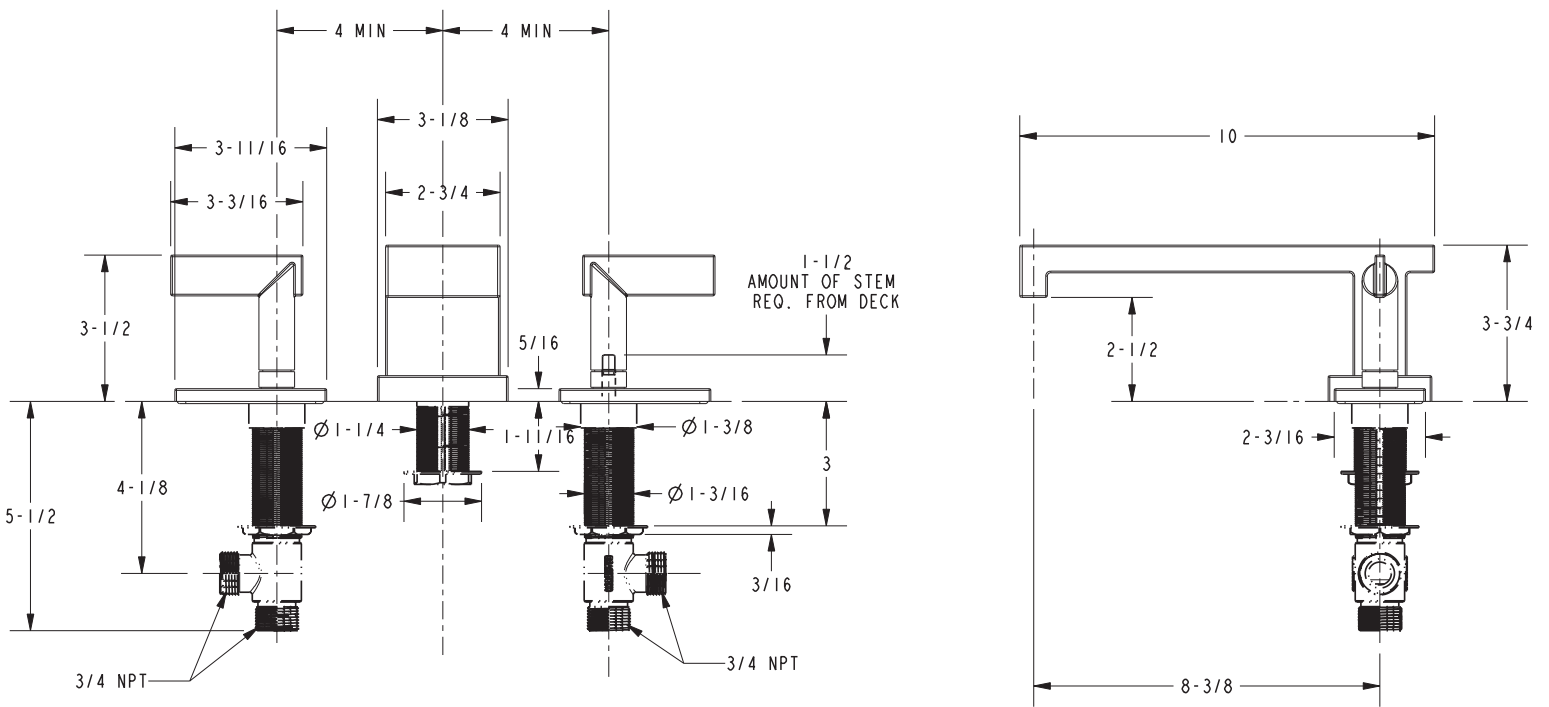
Application	Deck Tub Valve
Description	2-Valve Assembly With Quick Connect Spout Adapter
Inlet/Outlet	3/4"
Part Number	1-653
Image	

Product Specification: Add "Color / Finish" suffix to Model number, below.

The Roman Tub Deck Trim shall be made of solid brass construction. Roman Tub Deck Trim shall incorporate ADA compliant contemporary lever handles. Product shall incorporate a 2-3/16" (5.6 cm) spout height at outlet and a 8-3/8" (21.3 cm) spout reach (c-c). Rough valve kit shall incorporate brass valve bodies with quarter-turn washerless ceramic disc 3/4" valve cartridges and a spout nipple. Roman Tub Deck Trim shall be Newport Brass Model 2546/____ and Newport Brass rough valve kit shall be 1-653.

3-2546

PRODUCT DIMENSIONS *(Units are in inches)*



Metro Roman Tub Deck Trim 3-2546