

NOTES:

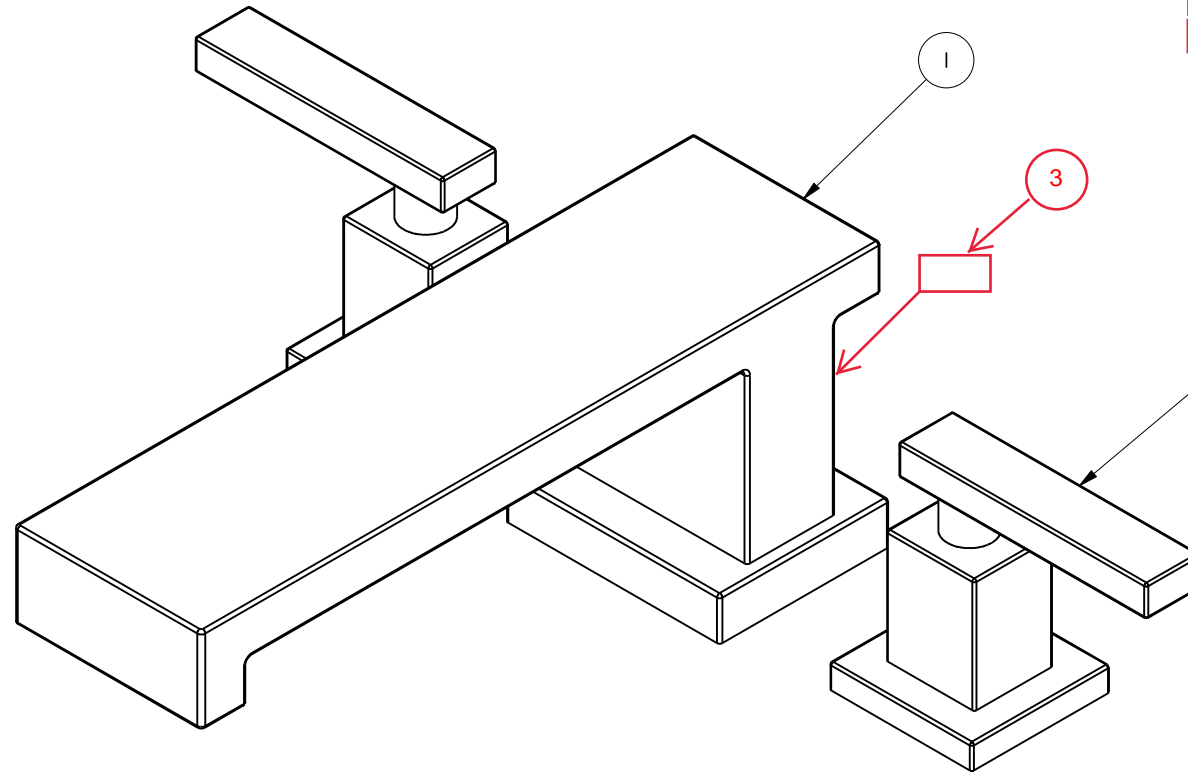
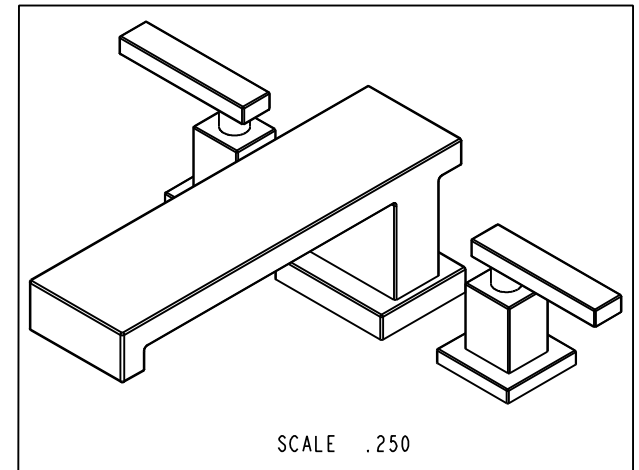
(NI) 1. FIT / FORM / FUNCTION SHALL FOLLOW PS-E.008.

BILL OF MATERIAL (CURRENT LEVEL)

ITEM	PT/ASSY	DESCRIPTION	TYPE	QTY.
1	2-941	R/T SPOUT ASM	ASSEMBLY	1
2	3-368	HANDLE AND ESCUTCHEON ASSEMBLY	ASSEMBLY	2
3	98045	UPC LABEL	PART	1

APPROVED

By Cesar Gayosso at 11:10 am, May 03, 2019



UNITS ARE: INCHES [MM]
TOLERANCES ARE:
FRACTIONS DECIMALS ANGLES
±1/16" .X ±.1 [2,5] ±1"
.XX ±.06 [1,5]

(X.XXX) DENOTES CRITICAL DIMS.
ALL THREADS ARE CRITICAL

BRASSTECH 2001 CARNEGIE AVE.
INCORPORATED SANTA ANA, CA 92705
(949) 417-5207

R/T FAUCET

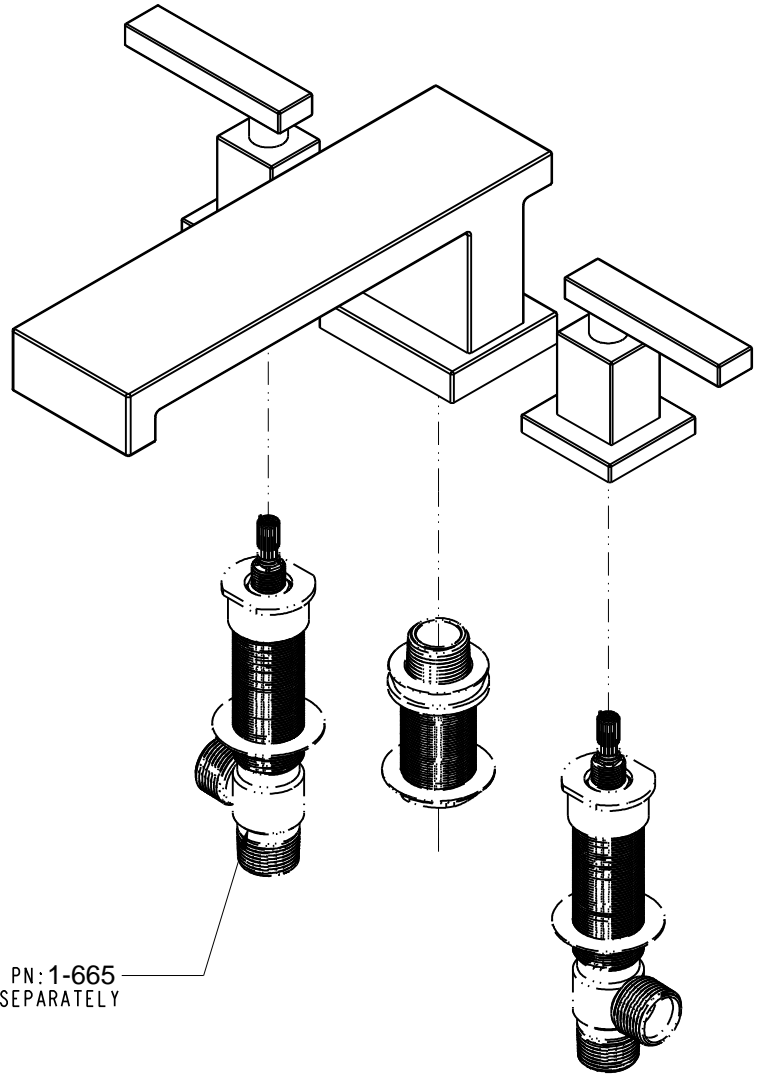
DWG NO. 3-2566 REV -

SCALE .500 REF. - SHEET 1 OF 3

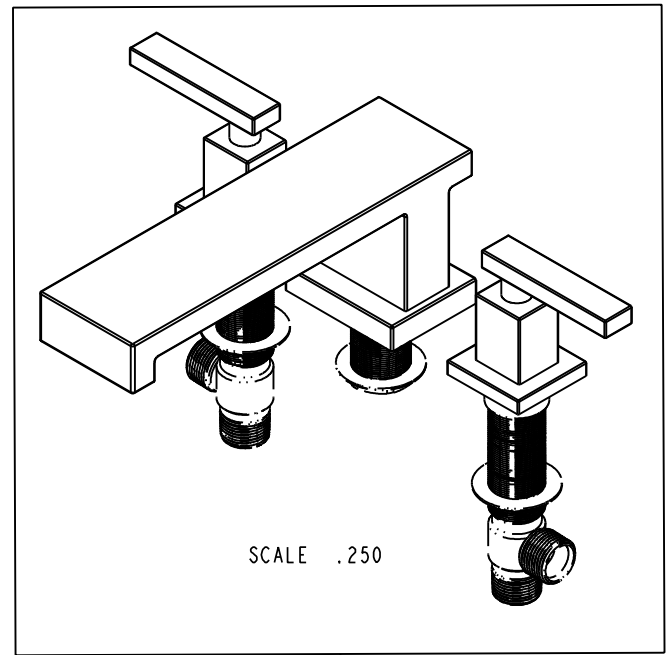
TESTING	-	-	-	-
ASSEMBLY	-	-	-	-
PLATING	-			
POLISHING	-	NEXT ASSY	USED ON	
MACHINING	-	APPLICATION		
TOOLING FIXTURE #		REMOVE ALL BURRS AND SHARP EDGES		

COPYRIGHT 2005 BRASSTECH, INC.
THESE DRAWINGS AND THE DESIGNS
DEPICTED HEREIN ARE THE PROPRIETARY
PROPERTY OF BRASSTECH. ANY USE
OR REPRODUCTION IS SUBJECT TO
THE EXPRESS APPROVAL OF BRASSTECH.
UNAUTHORIZED USE IS STRICTLY
PROHIBITED. ALL RIGHTS RESERVED.

ZONE	REV	DESCRIPTION	DATE	APPROVED
-	-	EN-2774c	01/27/15	J.M

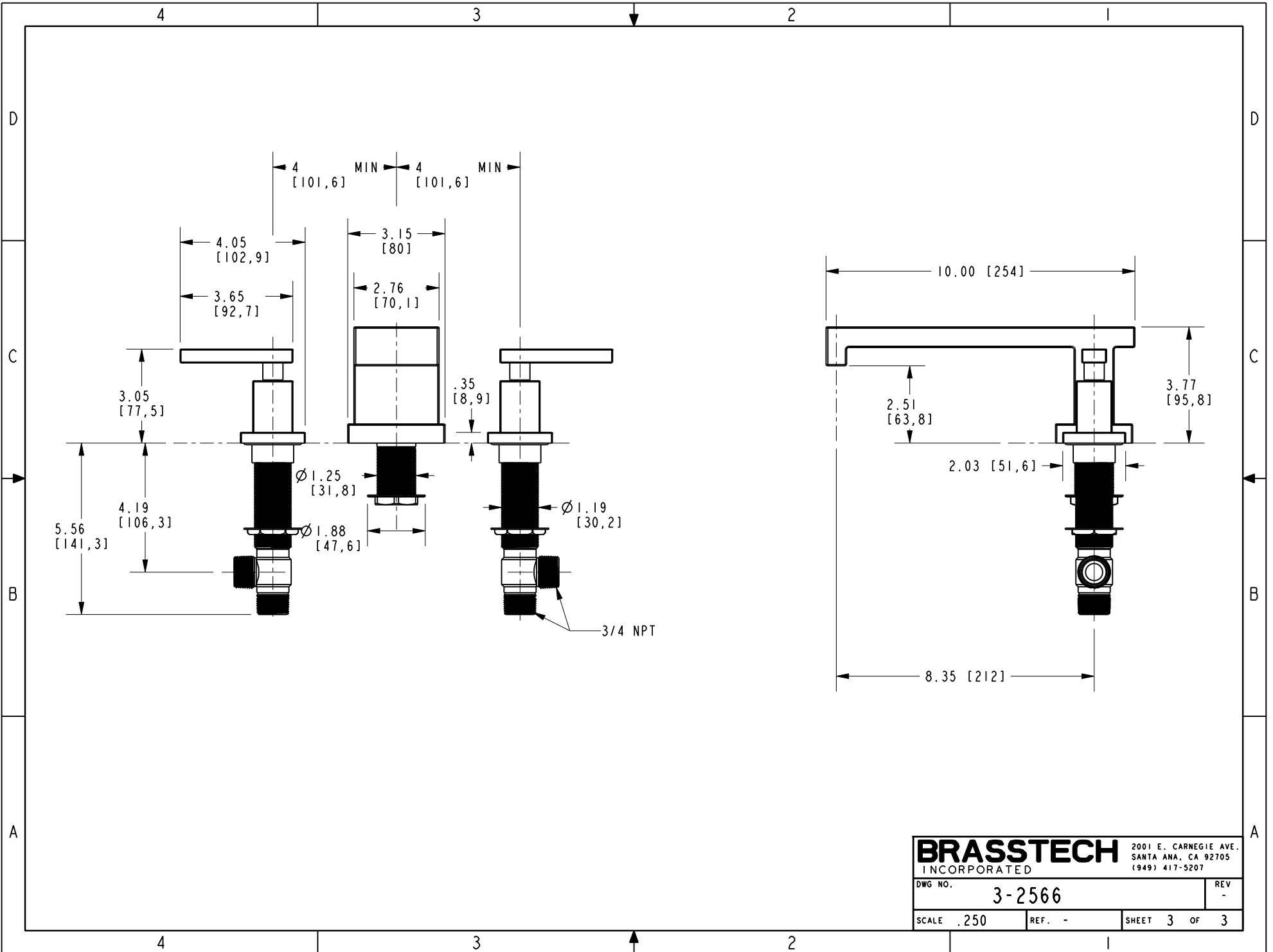


PN: 1-665
SOLD SEPARATELY



SCALE .250

BRASSTECH		2001 E. CARNEGIE AVE.	
INCORPORATED		SANTA ANA, CA 92705	
DWG NO. 3-2566		REV -	
SCALE .313	REF. -	SHEET 2 OF 3	



BRASSTECH		2001 E. CARNEGIE AVE. SANTA ANA, CA 92705 (949) 417-5207	
DWG NO.	3-2566	REV	-
SCALE	.250	REF.	-
SHEET 3		OF 3	