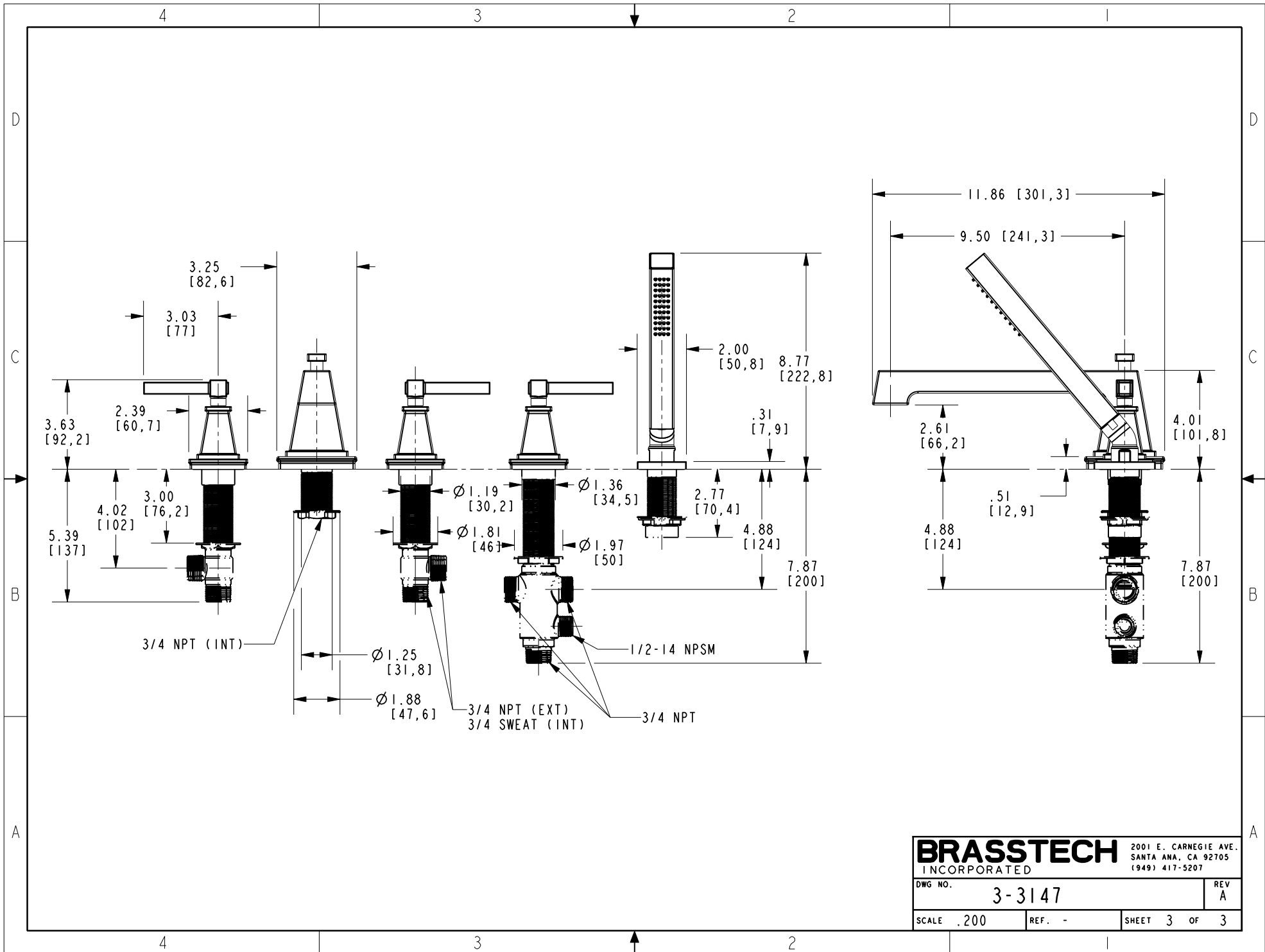


PN# 1-666
SOLD SEPARATELY

SCALE .150

| | | | |
|------------------|--------|----------------------------------------------------------------|------|
| BRASSTECH | | 2001 E. CARNEGIE AVE. SANTA ANA, CA 92705 (949) 417-5207 | |
| DWG NO. | 3-3147 | REV | A |
| SCALE .225 | REF. - | SHEET 2 | OF 3 |



| | | |
|------------------|--------|----------------------------------------------------------------|
| BRASSTECH | | 2001 E. CARNEGIE AVE. SANTA ANA, CA 92705 (949) 417-5207 |
| DWG NO. | 3-3147 | REV A |
| SCALE .200 | REF. - | SHEET 3 OF 3 |