



Sink Specifications

Color	SKU
Anthracite	401895
Café Brown	401896
White	401899
Metallic Gray	401900
Cinder	401985
Biscuit	401987
Truffle	401988
Concrete Gray	402320

Design and Planning Tips

- Min cabinet size: 36" in
- Bowl depth: 9-1/4" in (235.0 mm)

What is included:

Installation instructions, Limited lifetime warranty, Drain NOT included, Undermount clips are not required.

Bowl Depth: 9-1/4"

Required outside cabinet: 36"

Front Apron Depth: 10"

Rim thickness: 1-1/2"

Base of sink is larger than the rim. Outside base measures 33" x 19"

Drain hole accept 3-1/2" U.S. drain fittings

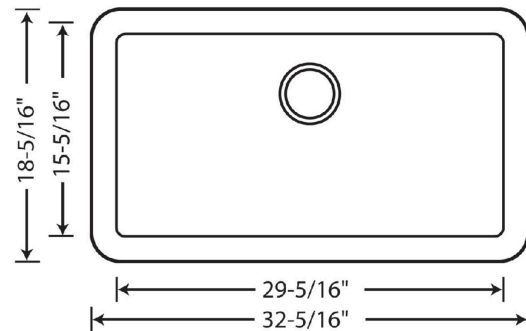
53 lbs - Note: Cannot be shipped UPS

Codes/Standards: CSA B45.8-18/ IAPMO Z403-2018

Optional Accessories

3-in-1 Basket Strainer	441231
Cutting Board	235010
3-in-1 Disposal Flange	441232

IKON 33" Apron Single SILGRANIT



Warranty

BLANCO offers a limited lifetime warranty on all sinks and faucets, as well as a one-year warranty on all custom accessories.

Code/Standards Compliance

BLANCO sinks and faucets are third-party tested and certified to standards and listed by applicable certification bodies. For more information on individual product listings, contact our office or listing organization.



View our how-to videos to learn more about installing and caring for BLANCO products:

<https://www.blanco.com/us-en/service/how-to-videos/>

Questions? Contact us today



BLANCO America, Inc.
110 Mount Holly By-Pass
Lumberton, NJ 08048

Phone & Fax
Phone: 888-668-6201
Fax: 609-668-6211

While BLANCO endeavors to provide accurate information, all dimensions are nominal, cannot be guaranteed, and are subject to change or cancellation. BLANCO assumes no responsibility for use of superseded or voided specifications.