

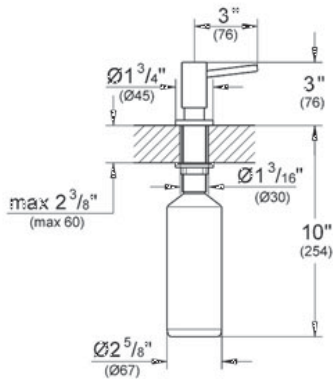
Cosmopolitan Soap Dispenser

MODEL # 40535

Pure Freude an Wasser

GROHE

GROHE America, Inc | 200 North Gary Avenue, Suite G, Roselle, IL 60172
Phone: +1 (800) 444-7643 | Fax: +1 (800) 225-2778 | us-customerservice@grohe.com



Product Description:
Cosmopolitan Soap Dispenser

- Standard Specification:**
- GROHE StarLight® finish
 - For liquid soaps
 - Storage bin 0.1g

- Applicable Codes & Standards:**
- Energy Policy Act of 1992
 - ASME A112.18.1/CSA B125.1

- Color:**
- 40535 000 chrome
 - 40535 DC0 supersteel