

AXOR Universal Softsquare

Toilet Paper Holder

Finish: **Brushed Black Chrome** Part no. : **42436340**



Features

- Wall-mounted
- Solid brass
- Metal holder
- With mounting material
- Concealed fastening

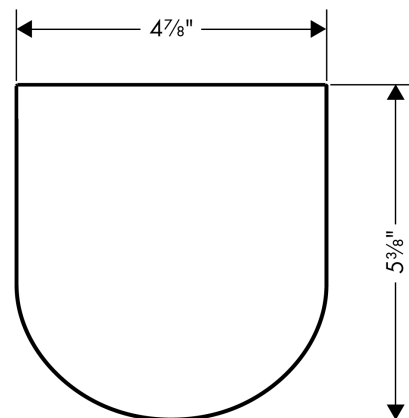
Item details

List Price \$ 534.00

Product image



Scale drawing

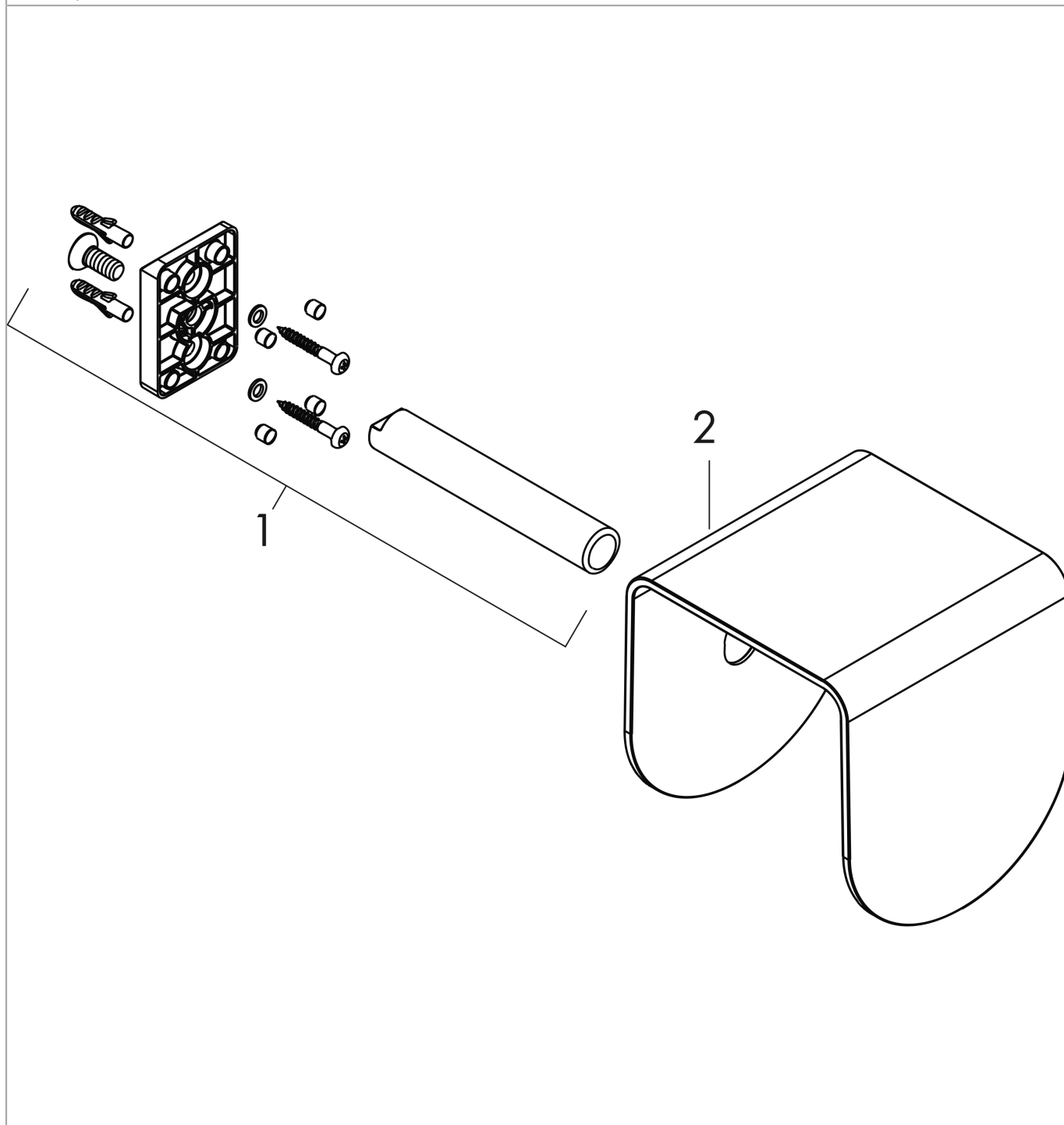


AXOR Universal Softsquare
Toilet Paper Holder
Finish: **Brushed Black Chrome** Part no. : **42436340**



Exploded drawing

Year of production: >02/17



AXOR Universal Softsquare

Toilet Paper Holder

Finish: **Brushed Black Chrome** Part no. : **42436340**



Spare parts list

Year of production: >02/17

Pos.		Part no.	Price	PU
1	support element	95421340	-	1
2	cover	95418340	-	1