

AXOR Universal Circular Toothbrush Tumbler

Finishes : Part no. : **42804000**



Features

- Wall-mounted
- Glass
- Metal holder
- With mounting material
- Concealed fastening
- Diameter of drilled hole: 6 mm

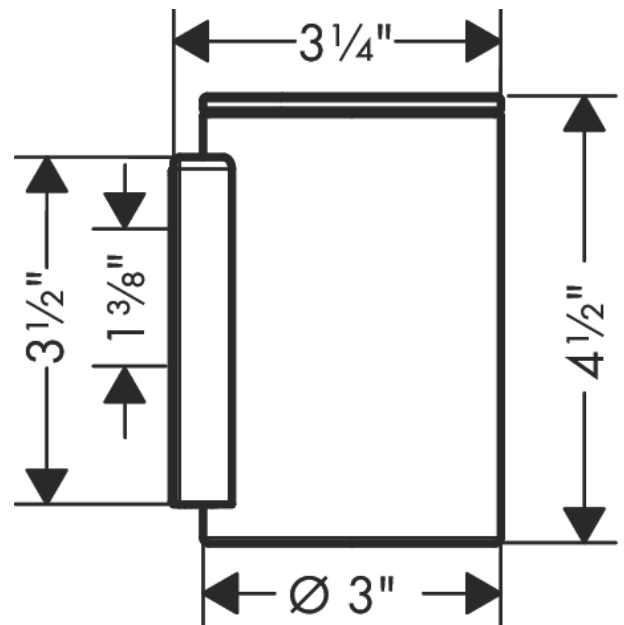
Item details

List Price

Product image



Scale drawing

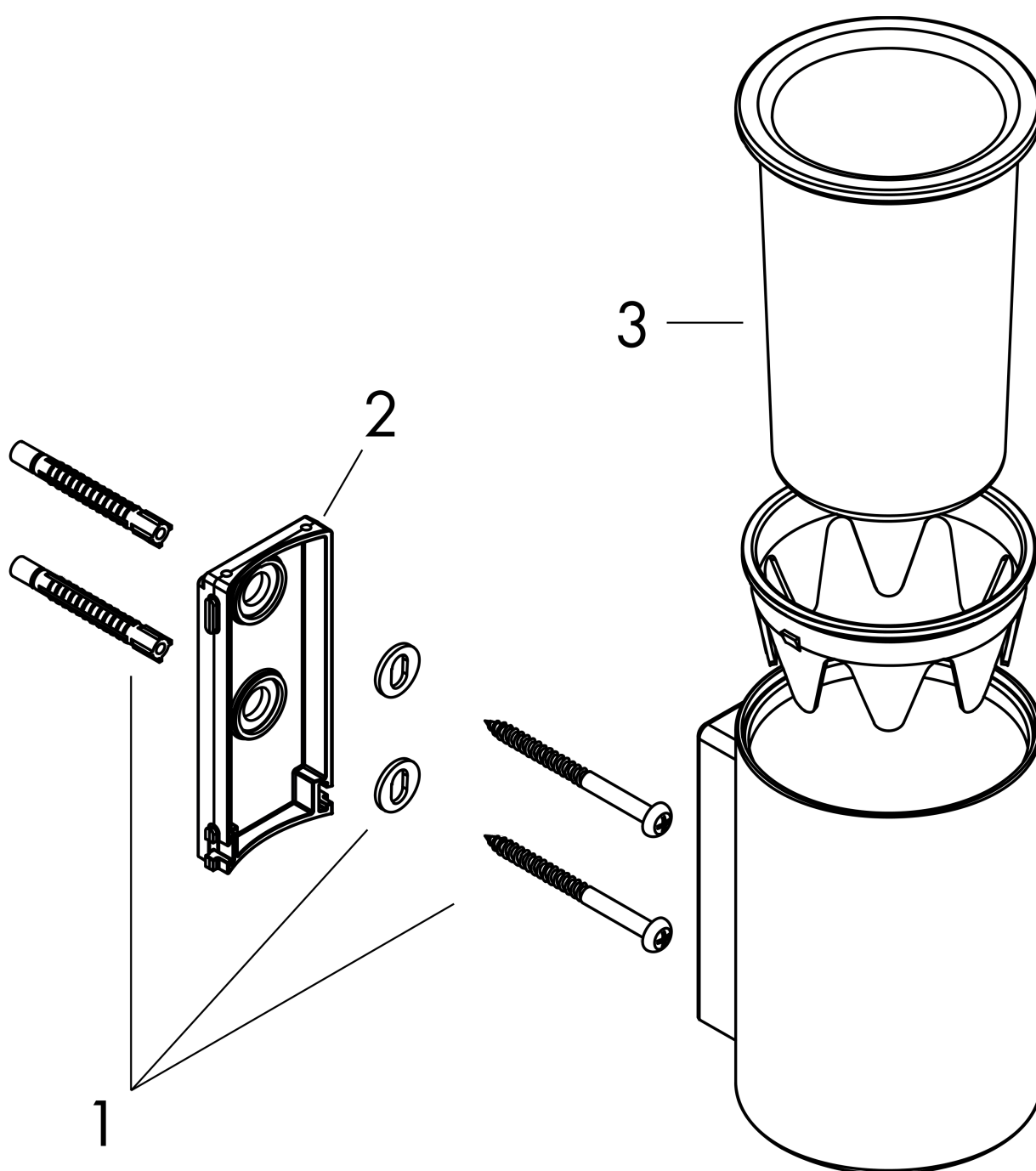


**AXOR Universal Circular
Toothbrush Tumbler**
Finishes : Part no. : 42804000



Exploded drawing

Year of production: >10/21



**AXOR Universal Circular
Toothbrush Tumbler**

Finishes : Part no. : **42804000**



Spare parts list

Year of production: >10/21

Pos.		Part no.	Price	PU
1	mounting set	96179000	-	1
2	support element	94426000	-	1
3	tumbler on its own	94425000	-	1