

AXOR Universal Circular Double Hook

Finishes : Part no. : **42812000**



Features

- Wall-mounted
- Metal
- With mounting material
- Concealed fastening
- Diameter of drilled hole: 6 mm

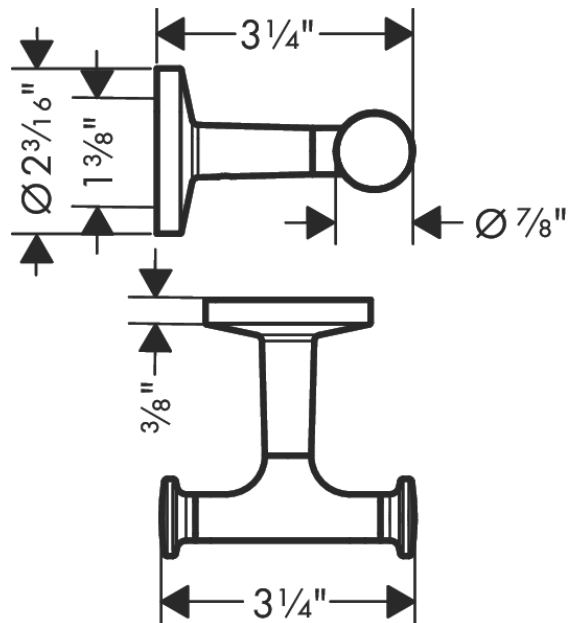
Item details

List Price

Product image



Scale drawing



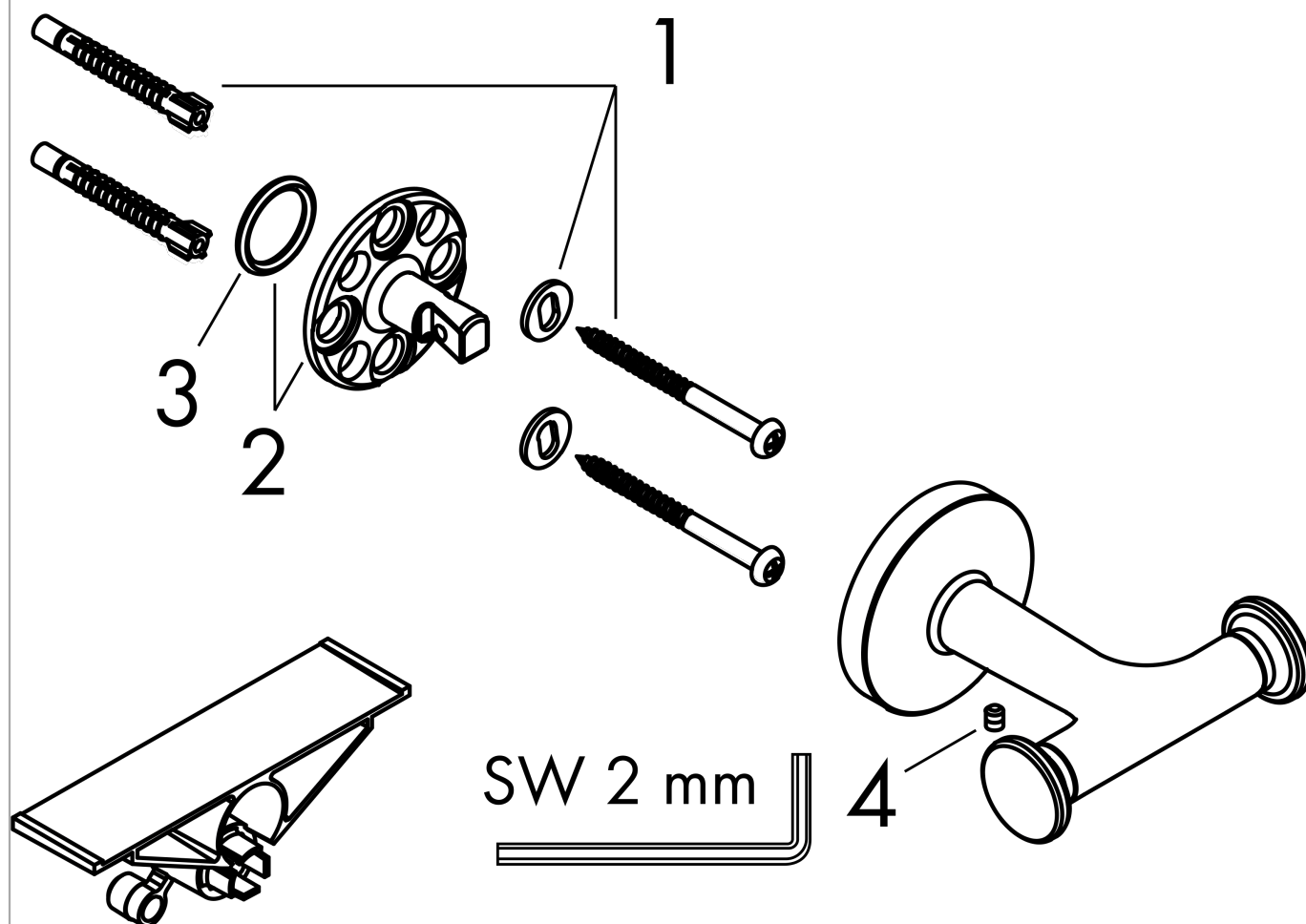
**AXOR Universal Circular
Double Hook**

Finishes : Part no. : **42812000**



Exploded drawing

Year of production: >12/21



**AXOR Universal Circular
Double Hook**

Finishes : Part no. : **42812000**



Spare parts list

Year of production: >12/21

Pos.		Part no.	Price	PU
1	mounting set	96179000	-	1
2	support element	94428000	-	1
3	O-ring 18x2,5	98139000	-	1
4	hollow set screw M4x5	98731000	-	1