

**AXOR Universal Softsquare
Soap Dispenser with Shelf**
Finish: **Brushed Bronze** Part no. : **42819140**



Features

- Container material: glass
- Type of soap: liquid soap
- Filling capacity 6 oz

Item details

List Price \$ 639.00

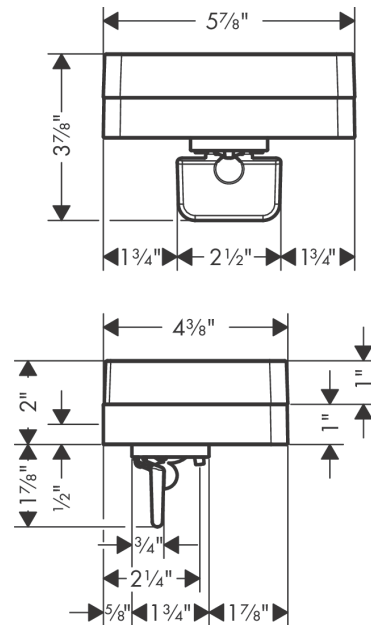
Design awards



Product image



Scale drawing

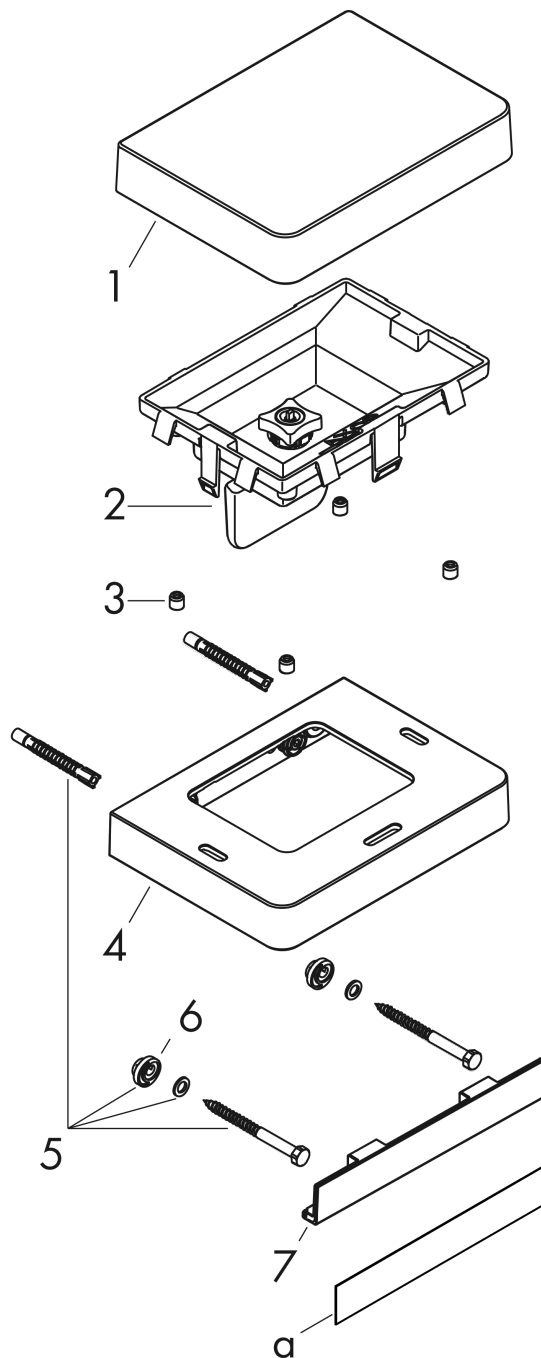


AXOR Universal Softsquare
Soap Dispenser with Shelf
Finish: **Brushed Bronze** Part no. : **42819140**



Exploded drawing

Year of production: >11/16



**AXOR Universal Softsquare
Soap Dispenser with Shelf**
Finish: **Brushed Bronze** Part no. : **42819140**



Spare parts list

Year of production: >11/16

Pos.		Part no.	Price	PU
1	cover	92428000	-	1
2	pump	93321140	-	1
3	screw cover	96762000	-	1
4	support element	92425140	-	1
5	mounting set	92841000	-	1
6	excentric socket	97604000	-	1
7	cover	92427140	-	1
a	cover	42890140	-	1
b	set of adapters	42870140	-	1
c	set of covers	42871140	-	1
d	mounting kit for two-sided glass montage	42841000	-	1