

**AXOR Universal Softsquare  
Soap Dispenser with Shelf**  
Finish: **Brushed Black Chrome**

Part no. : **42819340**



**Features**

- Container material: glass
- Type of soap: liquid soap
- Filling capacity 6 oz

**Item details**

List Price \$ 639.00

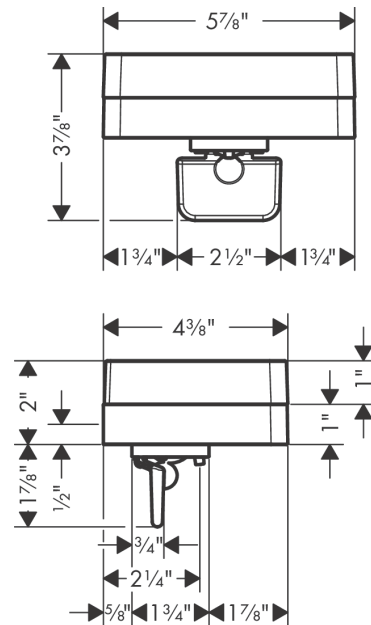
**Design awards**



**Product image**



**Scale drawing**

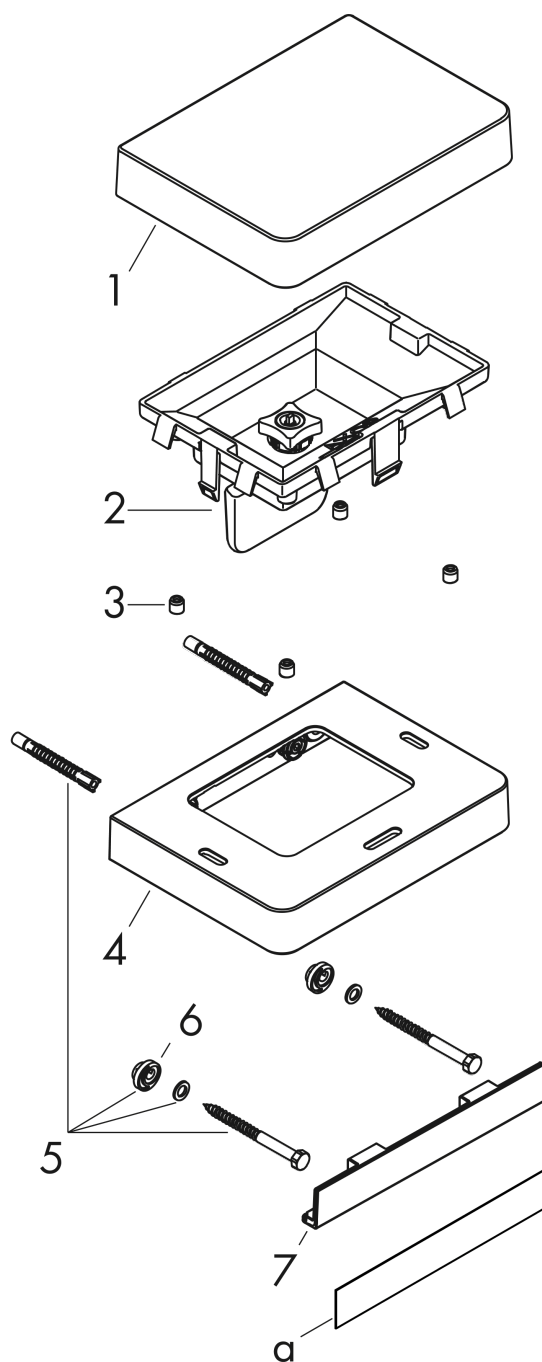


**AXOR Universal Softsquare  
Soap Dispenser with Shelf**  
Finish: **Brushed Black Chrome**    Part no. : **42819340**



## Exploded drawing

Year of production: >11/16



**AXOR Universal Softsquare  
Soap Dispenser with Shelf**  
Finish: **Brushed Black Chrome**    Part no. : **42819340**



## Spare parts list

Year of production: >11/16

Pos.		Part no.	Price	PU
1	cover	92428000	-	1
2	pump	93321340	-	1
3	screw cover	96762000	-	1
4	support element	92425340	-	1
5	mounting set	92841000	-	1
6	excentric socket	97604000	-	1
7	cover	92427340	-	1
a	cover	42890340	-	1
b	set of adapters	42870340	-	1
c	set of covers	42871340	-	1
d	mounting kit for two-sided glass montage	42841000	-	1