

**AXOR Universal Softsquare  
Soap Dispenser with Shelf**

Finish: **Polished Nickel** Part no. : **42819830**



**Features**

- Container material: glass
- Type of soap: liquid soap
- Filling capacity 6 oz

**Item details**

List Price \$ 618.00

**Design awards**



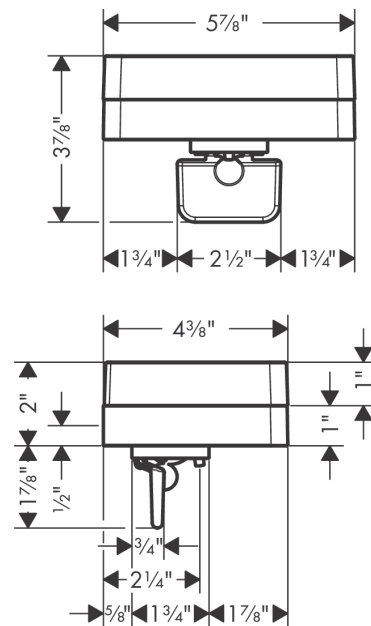
**Compliance / Sustainability**



**Product image**



**Scale drawing**

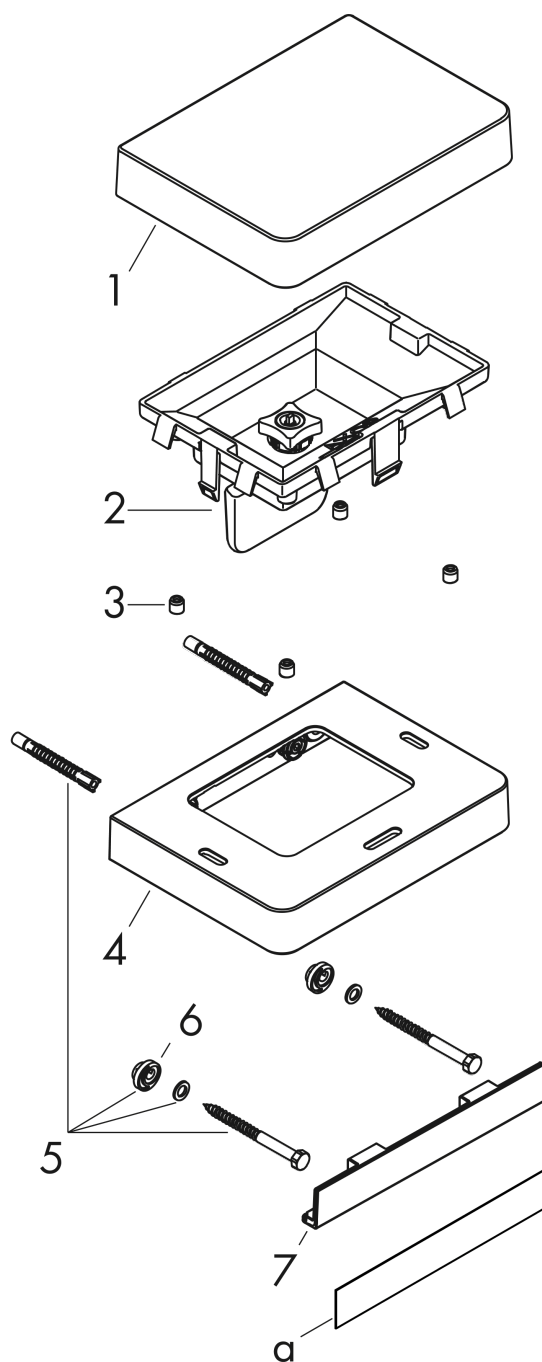


**AXOR Universal Softsquare**  
**Soap Dispenser with Shelf**  
Finish: **Polished Nickel** Part no. : **42819830**



## Exploded drawing

Year of production: 11/16 - 12/19



**AXOR Universal Softsquare**  
**Soap Dispenser with Shelf**  
 Finish: **Polished Nickel** Part no. : **42819830**



## Spare parts list

Year of production: **11/16 - 12/19**

Pos.		Part no.	Price	PU
1	cover	92428000	-	1
2	pump	93321830	-	1
3	screw cover	96762000	-	1
4	support element	92425830	-	1
5	mounting set	92841000	-	1
6	excentric socket	97604000	-	1
7	cover	92427830	-	1
a	cover	42890830	-	1
b	set of adapters	42870830	-	1
c	set of covers	42871830	-	1
d	mounting kit for two-sided glass montage	42841000	-	1