

**AXOR Universal Softsquare  
Toilet Paper Holder with Cover**  
Finish: **Brushed Bronze** Part no. : **42836140**



### Features

- Wall-mounted
- Mirror-inverted installation possible
- Combinable with soap dish / shelf #42803XXX and shelf 11 7/8" #42838XXX (adapter set #42870XXX necessary)
- Metal
- With mounting material
- Concealed fastening

### Item details

List Price \$ 454.00

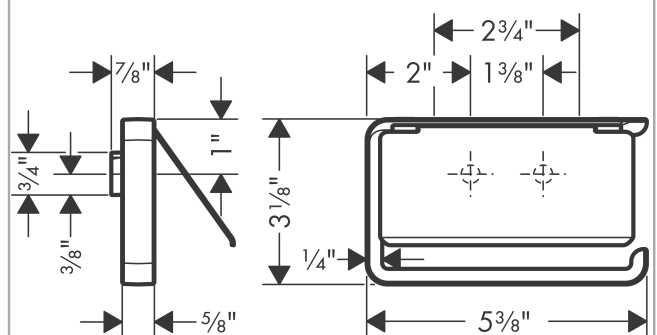
### Design awards



### Product image



### Scale drawing

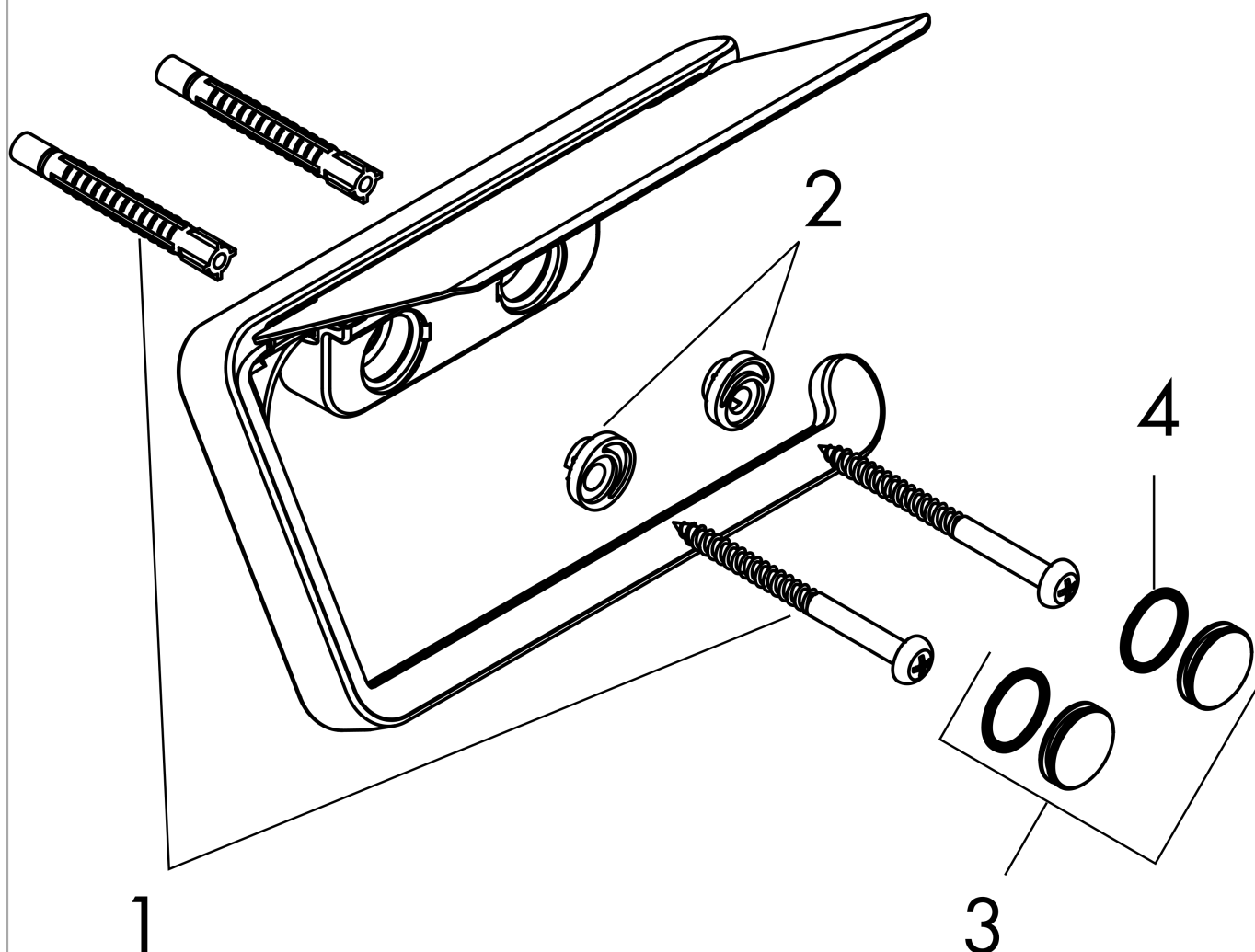


**AXOR Universal Softsquare**  
**Toilet Paper Holder with Cover**  
Finish: **Brushed Bronze** Part no. : **42836140**



## Exploded drawing

Year of production: >11/16



**AXOR Universal Softsquare**  
**Toilet Paper Holder with Cover**  
 Finish: **Brushed Bronze** Part no. : **42836140**



## Spare parts list

Year of production: >11/16

Pos.		Part no.	Price	PU
1	mounting set	40915000	-	1
2	excentric socket	97604000	-	1
3	set of covers	92437140	-	1
4	O-ring 13x1,5	98475000	-	1
a	set of adapters	42870140	-	1