

**AXOR Universal Softsquare
Toilet Paper Holder with Cover**
Finish: **Polished Nickel** Part no. : **42836830**



Features

- Wall-mounted
- Mirror-inverted installation possible
- Combinable with soap dish / shelf #42803XXX and shelf 11 7/8" #42838XXX (adapter set #42870XXX necessary)
- Metal
- With mounting material
- Concealed fastening

Item details

List Price \$ 436.00

Design awards



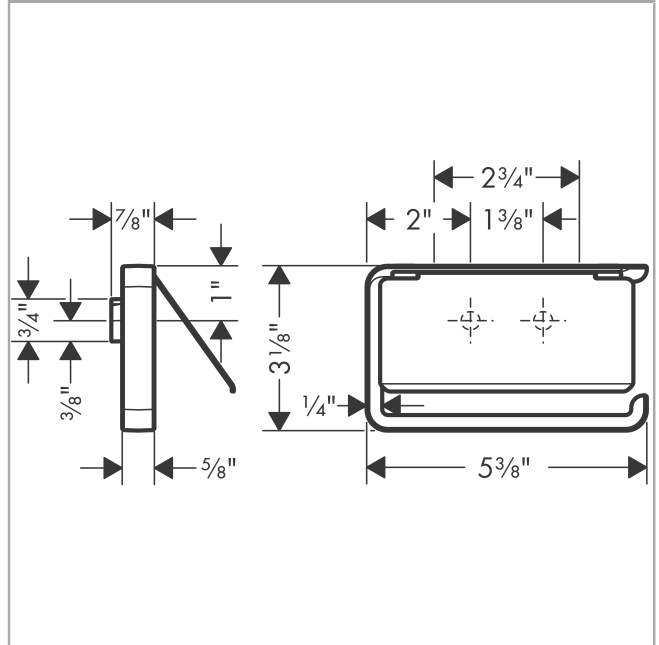
Compliance / Sustainability



Product image



Scale drawing

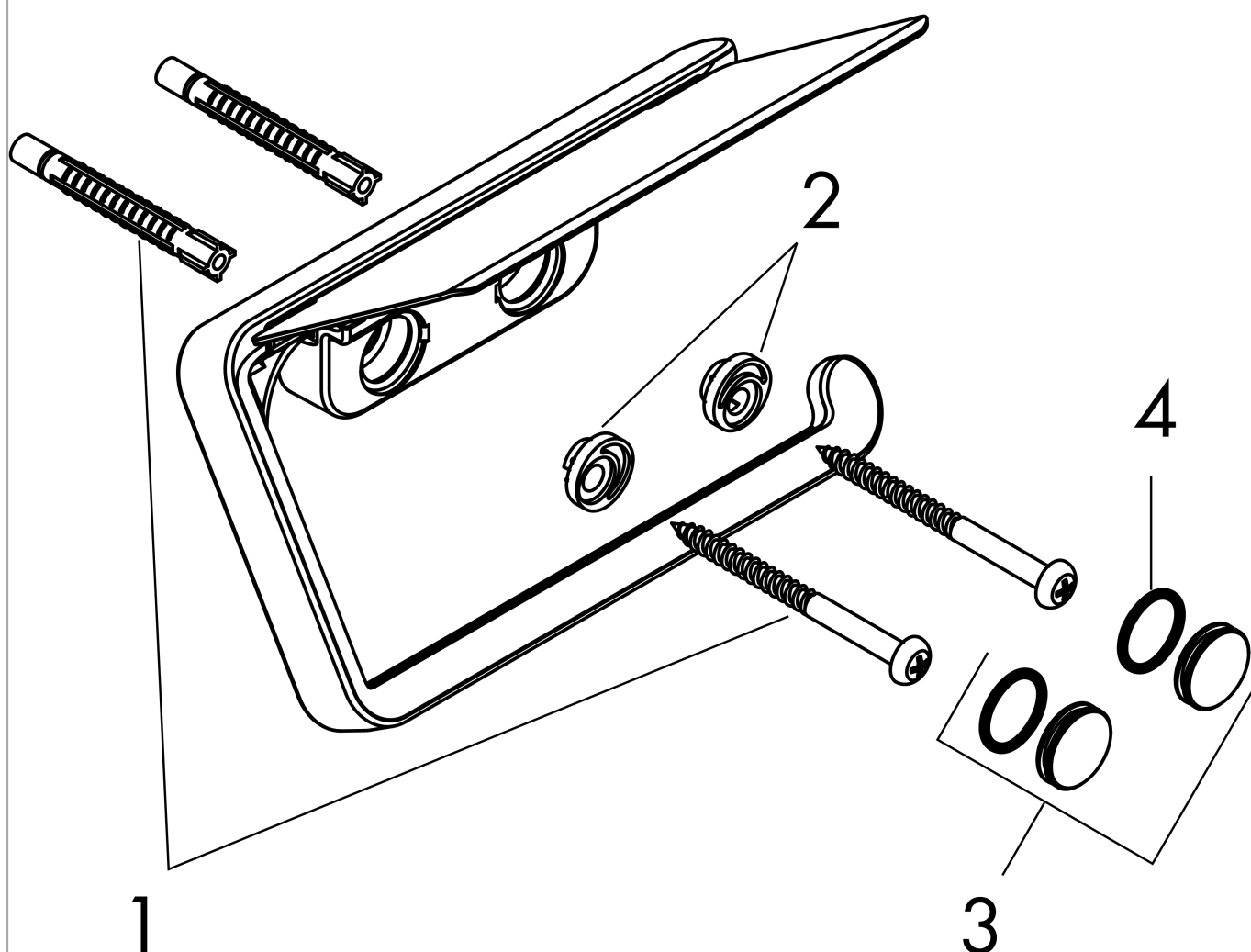


AXOR Universal Softsquare
Toilet Paper Holder with Cover
Finish: **Polished Nickel** Part no. : **42836830**



Exploded drawing

Year of production: 11/16 - 12/19



AXOR Universal Softsquare
Toilet Paper Holder with Cover
 Finish: **Polished Nickel** Part no. : **42836830**



Spare parts list

Year of production: **11/16 - 12/19**

Pos.		Part no.	Price	PU
1	mounting set	40915000	-	1
2	excentric socket	97604000	-	1
3	set of covers	92437830	-	1
4	O-ring 13x1,5	98475000	-	1
a	set of adapters	42870830	-	1