

**AXOR Universal Softsquare Shelf 12"**

Finish: **Brushed Gold Optic** Part no. : **42838250**



**Features**

- Wall-mounted
- Two adapter sets # 42870XXX must be used when installing on a rail
- Can be combined with toilet paper holder #42836XXX (adapter #42870XXX necessary)
- Material frame: metal
- Material shelf: made of safety glass
- With mounting material
- Concealed fastening
- Diameter drill hole: 1/4" in
- Suitable for shower

**Item details**

List Price \$ 601.00

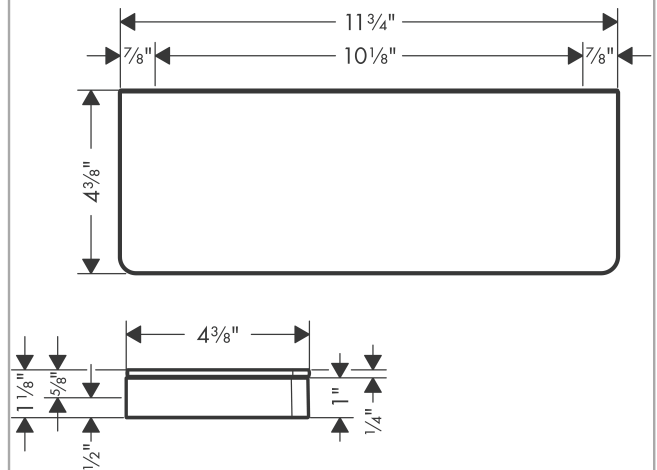
**Design awards**



**Product image**



**Scale drawing**



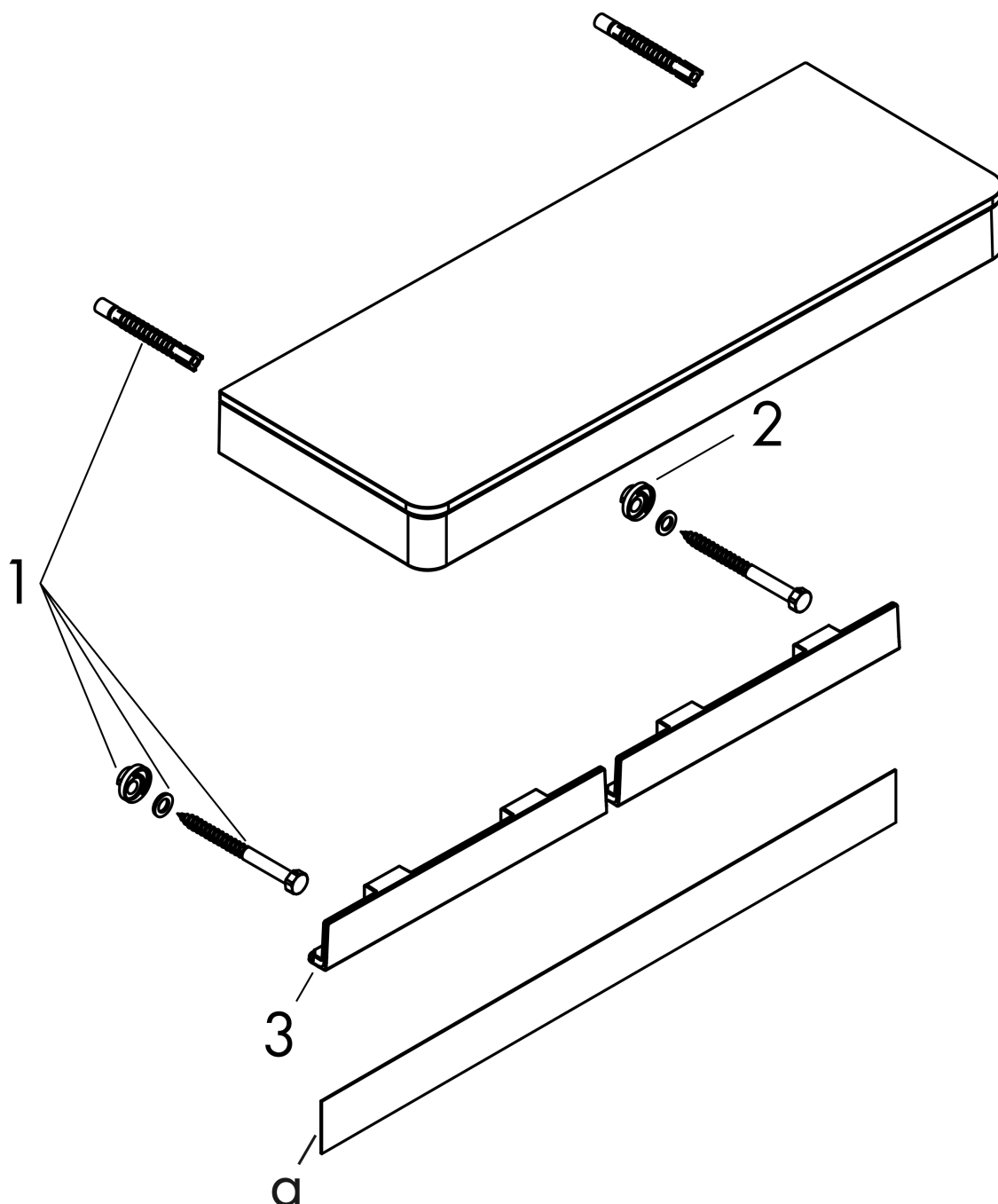
**AXOR Universal Softsquare  
Shelf 12"**

Finish: **Brushed Gold Optic** Part no. : **42838250**



**Exploded drawing**

Year of production: >11/16



**AXOR Universal Softsquare  
Shelf 12"**

Finish: **Brushed Gold Optic** Part no. : **42838250**



## Spare parts list

Year of production: >11/16

| Pos. |                  | Part no. | Price | PU |
|------|------------------|----------|-------|----|
| 1    | mounting set     | 92841000 | -     | 1  |
| 2    | excentric socket | 97604000 | -     | 1  |
| 3    | cover            | 92427250 | -     | 1  |
| a    | cover            | 42891250 | -     | 1  |
| b    | set of adapters  | 42870250 | -     | 1  |