

**AXOR Universal Softsquare
Shelf 12"**

Finish: **Brushed Black Chrome** Part no. : **42838340**



Features

- Wall-mounted
- Two adapter sets # 42870XXX must be used when installing on a rail
- Can be combined with toilet paper holder #42836XXX (adapter #42870XXX necessary)
- Material frame: metal
- Material shelf: made of safety glass
- With mounting material
- Concealed fastening
- Diameter drill hole: 1/4" in
- Suitable for shower

Item details

List Price \$ 601.00

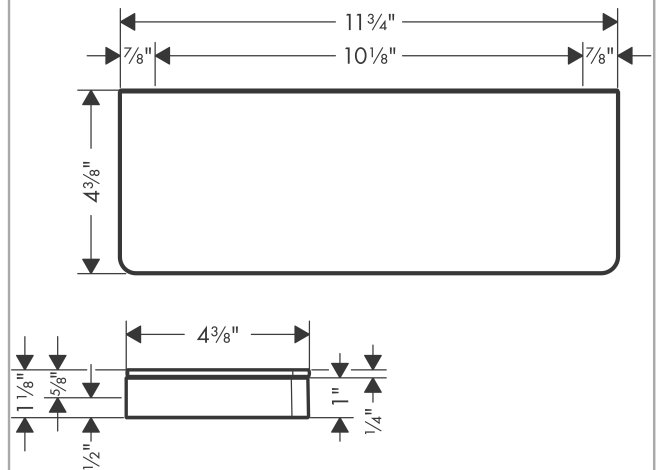
Design awards



Product image



Scale drawing



AXOR Universal Softsquare

Shelf 12"

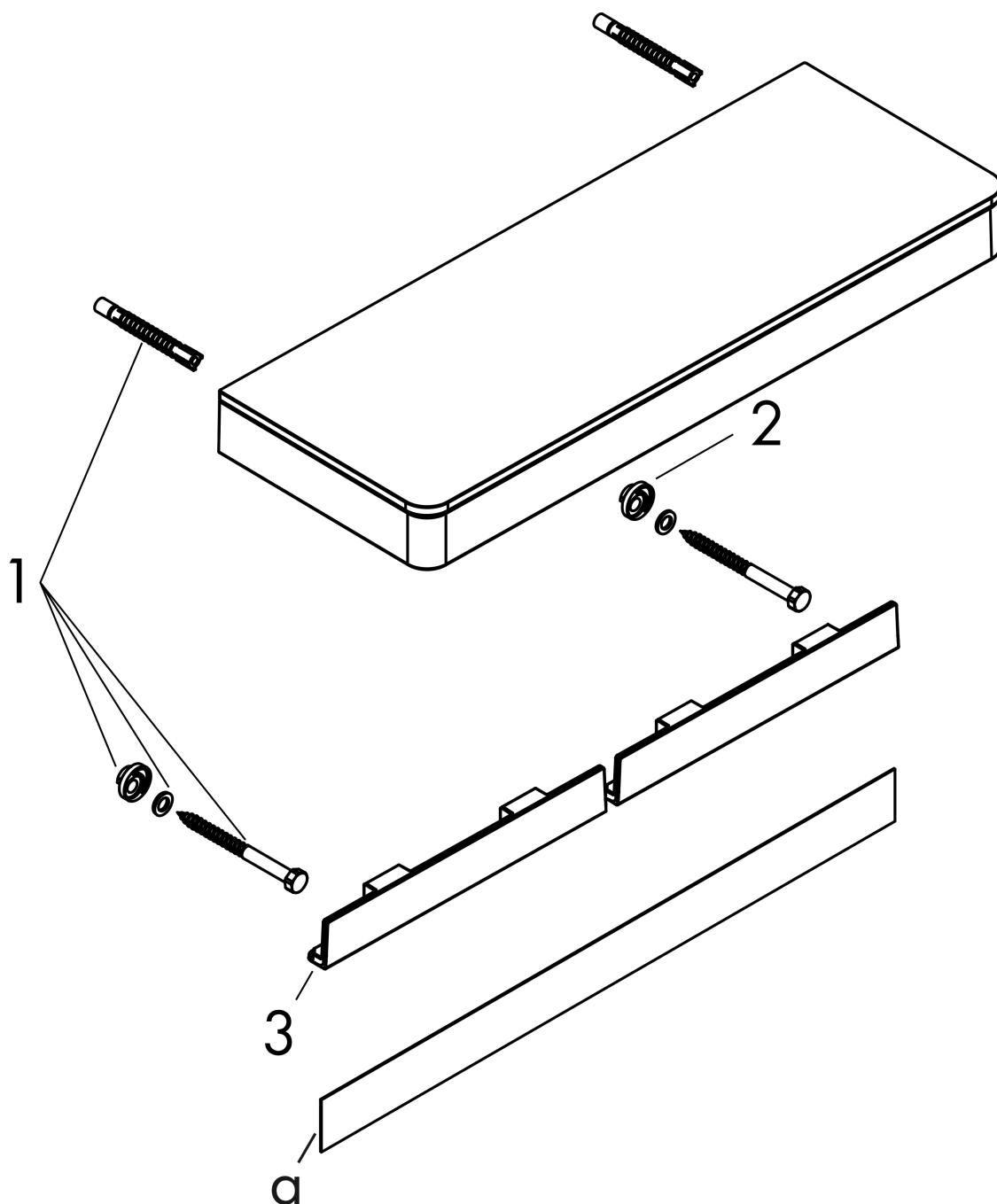
Finish: **Brushed Black Chrome**

Part no. : 42838340



Exploded drawing

Year of production: >11/16



AXOR Universal Softsquare

Shelf 12"

Finish: **Brushed Black Chrome** Part no. : **42838340**



Spare parts list

Year of production: >11/16

| Pos. | | Part no. | Price | PU |
|------|------------------|----------|-------|----|
| 1 | mounting set | 92841000 | - | 1 |
| 2 | excentric socket | 97604000 | - | 1 |
| 3 | cover | 92427340 | - | 1 |
| a | cover | 42891340 | - | 1 |
| b | set of adapters | 42870340 | - | 1 |